

# LumiStick™ Pro Corner

**Omnify**

Part # 231501

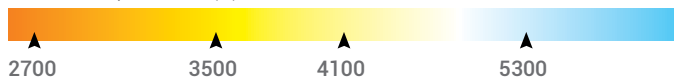
Project		Location	
Contact		Date	
Part Nr.		Fixture Type	



## Description

Built with the tightest pitch LEDs for virtually no hotspots, it is ideal for angles and corners with increased efficacy. Perfect for retail displays and architectural applications

Color Temperature (K)

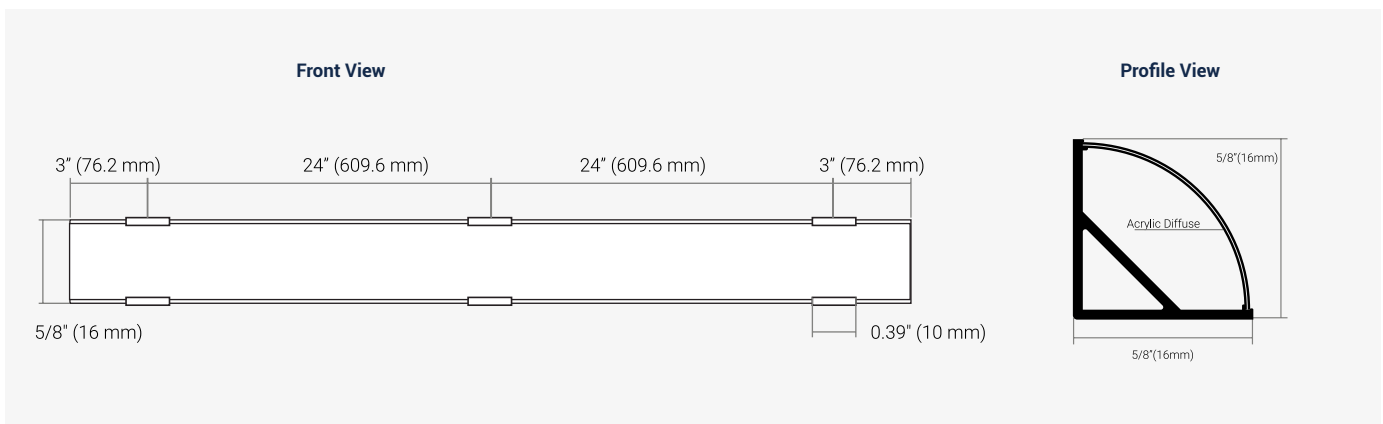


## Applications

- Shelves
- Cove Lighting
- Corner Lighting
- Displays



## Overview



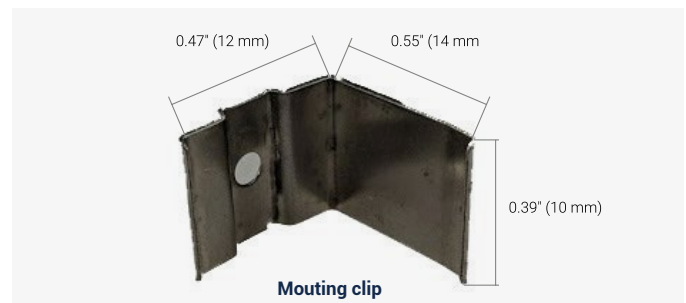
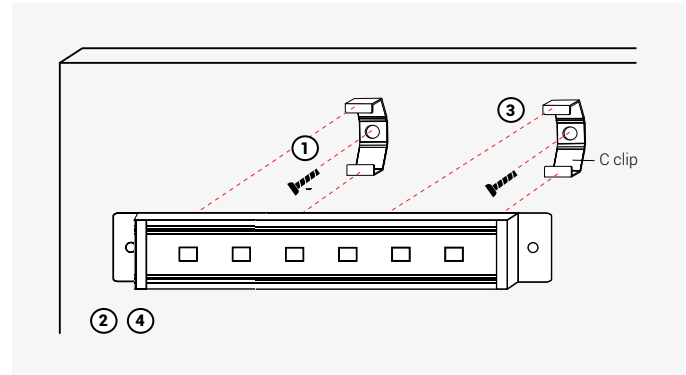
## Mounting Options

### Option 1: Screw Mounting

**With Extra C Clips: Ideal for longer light**

Additional clips are provided to support longer than 24" (609.6 mm) length

1. Screw supplied C clips into substrate using provided screws, space them evenly, approx. 24" (609.6 mm) apart
2. Remove any optional diffuser (gently pull outwards)
3. Snap light bar into the C clips
4. Re-apply optional diffusers



### Option 2: Magnet Mounting

#### On Metallic Surfaces

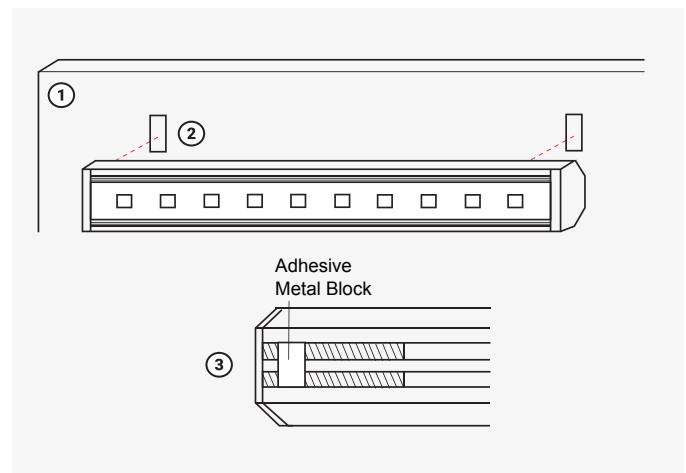
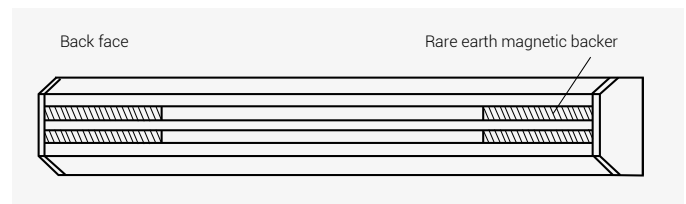
Product may be ordered with built in rare earth magnetic backers (upon request). These will be located no more than 24" (609.6 mm) apart.

1. Position light bar against metallic surface, ensure substrate/surface is secure

#### Non Metallic Surface with Adhesive Metallic

Product may be ordered with adhesive metallic blocks (upon request). to allow magnetic installation on non-metallic surfaces.

1. Clean and dry substrate
2. Remove backing from adhesive metal block and apply on substrate. Be sure to align
3. Place the light bar against the adhesive block on substrate

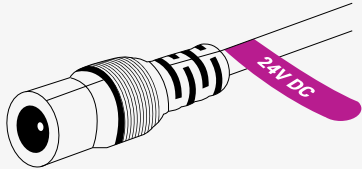


# LumiStick™ Pro Corner



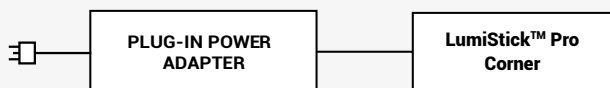
## Wiring Options

Determine your system components, including a Class 2 power driver, as well as optional dimmer and controller (if required). Use only UL certified power drivers with the power output that coordinates with your input voltage. Do not apply 24V DC to 12V DC light bars.



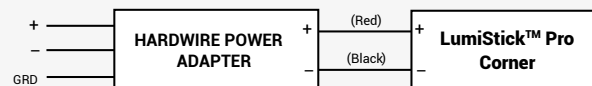
### Wiring with Plug-In Power Adaptors

Use a plug-in adaptor to connect the LumiStick™ Pro Corner to your power source.



### Wiring with Hardwire Power Adaptors

1. Turn off power to your system at the main breaker
2. Install your system components. Refer to wiring guidelines for each component to build your system
3. Check connections and turn on power at the main breaker



# LumiStick™ Pro Corner

**Omnify**

## Physical Specifications

Part Number	231501
Series	LMS
Chip	LumiChip™ Pro
Beam Angle	120°
CRI	≥ 95
Color Temperature*	2700K, 3500K, 4100K, 5300K
LED Count /feet	39 / ft
Lumens	530-580 lm / ft (Standard 4.4 W)
Efficacy	Up to 135 lm / W
Operating Temperature	-30 °C (-22 °F) ~ +40 °C (+104 °F)
Mounting	C-Clips Magnets
Environment	Dry locations only (indoor)
Pitch Length	7.8 mm
Cutable length	24V – 8 LEDs, 62.5 mm
Width	5/8"
Maximum Run	24V - 10 ft

## Electrical Specifications

Input Voltage	24V DC
Power Consumption	4.4 W / ft
Wiring	EX-10 Cable (UL E336579) PS-2 Cable (UL 336579) PS-4 Cable (UL 336579) PS-6 Cable (UL 338684)
Connector	Standard 5' (1500 mm), optional 10' (3000 mm) • 2.1 / 5.5 mm barrel plug (Standard) • Bare wire (Tunable, RGB)
Certification	UL listed (E346146)

## Power & Controllers

### Power Adaptors

Plug in (Class 2)		
950021	24V	24W
950024	24V	90W
950035	24V	96W
950036	24V	60W
Hardwire		
951012	24V	60W
950037	24V	60W
950038	24V	96W
950039	24V	150W
5 in 1 Dimming Driver		
951004-12-096	24V	96W
951006-24-192	24V	2x96W

### Wiring Options

Option 1	EX-10 Cable
Option 2	PS-2 Cable
Option 3	PS-4 Cable
Option 4	PS-6 Cable

### Mounting Options

Option 1	C-Clips
Option 2	Magnets

### Controllers

Inline Dimmer with Remote		
970007	24V	144W
LED Dimming Module		
970001	24V	96W
Rotary Style Dimmer		
970002	5V	40W
970002	24V	192W
Connectors		
DC Jack 5'		
800008		White
800006		Black
DC Jack 10' (W)		
800009		White
800007		Black
Connector Hub		
980047		White

# LumiStick™ Pro Corner



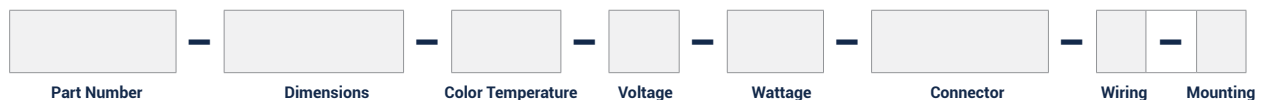
## Ordering Information

Product Number	Size	Color Temperature	Voltage	Wattage/ft
<b>231501</b> – White	<b>z X y</b> Custom size	<b>270</b> – 2700K <b>350</b> – 3500K <b>410</b> – 4100K <b>530</b> – 5300K	<b>24</b> – 24V DC	<b>4.4</b> – Standard (4.4W)

Connectors	Wiring	Mounting
<b>80008</b> – DC jack 5' White	<b>1</b> – EX-10 Cable	<b>1</b> – Screws
<b>80006</b> – DC jack 5' Black	<b>2</b> – PS-2 Cable	<b>2</b> – Magnets
<b>80009</b> – DC jack 10' White	<b>3</b> – PS-4 Cable	
<b>80007</b> – DC jack 10' Black	<b>4</b> – PS-6 Cable	
<b>900047</b> – Connector Hub		

## Configure Order

Put your order code together by putting the magenta codes you would like to have in the same order from above into each cell below.



**Example: 231501-11-530-24-4.4-80008-1-1**

Breakdown: LumiStick Pro Corner; Dimensions(z-y)-11"; Color Temperature-5300K; Voltage-24V; Wattage-4.4W/ft; Connector-DC jack 5'; EX-10 Cable (1); Screw in clips.