

LumiStick™ Pro Wide

Omnify

Part # 231401

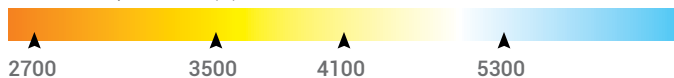
| | | | |
|----------|--|--------------|--|
| Project | | Location | |
| Contact | | Date | |
| Part Nr. | | Fixture Type | |



Description

The most advanced LED light bar in the industry with its high CRI linear light engine that offers premium light dispersion and brightness. With mounting options and customization to suit any project.

Color Temperature (K)

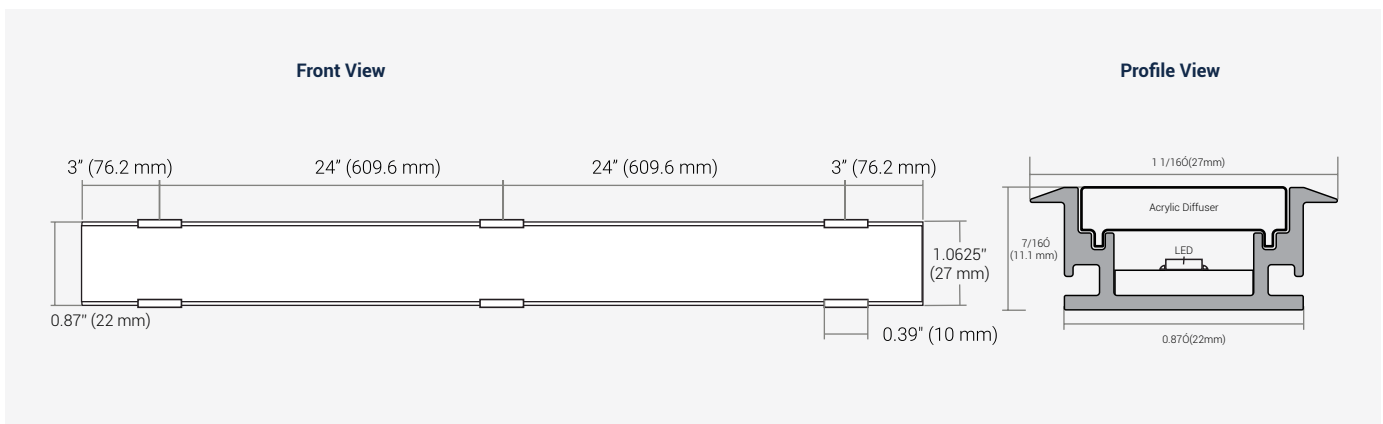


Applications

- Shelves
- Corner Lighting
- Cove Lighting
- Displays



Overview



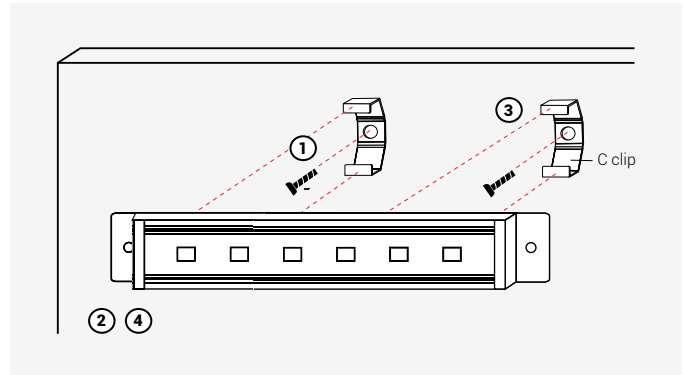
Mounting Options

Option 1: Screw Mounting

With Extra C Clips: Ideal for longer light

Additional clips are provided to support longer than 24" (609.6 mm) length

1. Screw supplied C clips into substrate using provided screws, space them evenly, approx. 24" (609.6 mm) apart
2. Remove any optional diffuser (gently pull outwards)
3. Snap light bar into the C clips
4. Re-apply optional diffusers



Mounting clip

Option 2: Magnet Mounting

On Metallic Surfaces

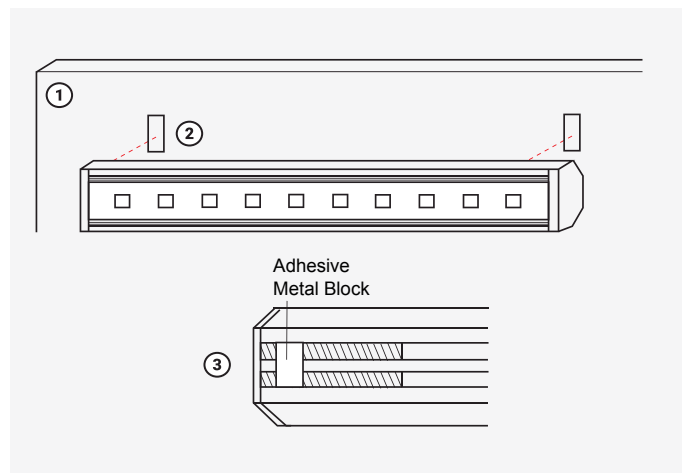
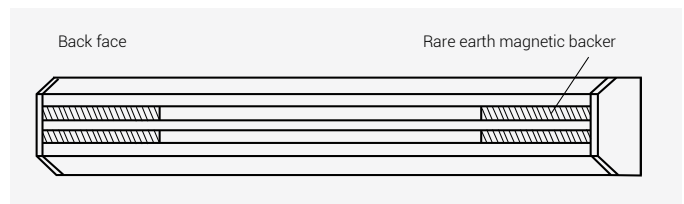
Product may be ordered with built in rare earth magnetic backers (upon request). These will be located no more than 24" (609.6 mm) apart.

1. Position light bar against metallic surface, ensure substrate/surface is secure

Non Metallic Surface with Adhesive Metallic

Product may be ordered with adhesive metallic blocks (upon request) to allow magnetic installation on non-metallic surfaces.

1. Clean and dry substrate
2. Remove backing from adhesive metal block and apply on substrate. Be sure to align
3. Place the light bar against the adhesive block on substrate

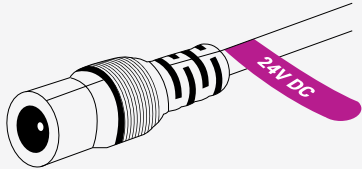


LumiStick™ Pro Wide



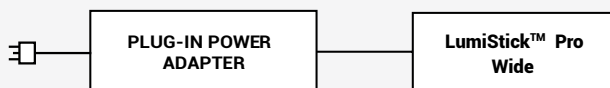
Wiring Options

Determine your system components, including a Class 2 power driver, as well as optional dimmer and controller (if required). Use only UL certified power drivers with the power output that coordinates with your input voltage.



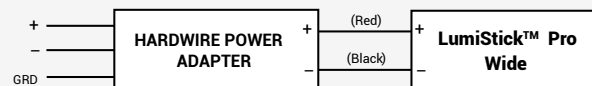
Wiring with Plug-In Power Adaptors

Use a plug-in adaptor to connect the LumiStick™ Pro Wide to your power source.



Wiring with Hardwire Power Adaptors

1. Turn off power to your system at the main breaker
2. Install your system components. Refer to wiring guidelines for each component to build your system
3. Check connections and turn on power at the main breaker



LumiStick™ Pro Wide

Omnify

Physical Specifications

| | |
|-----------------------|------------------------------------|
| Part Number | 231401 |
| Series | LMS |
| Chip | LumiChip™ Pro |
| Beam Angle | 120° |
| CRI | ≥ 95 |
| Color Temperature* | 2700K, 3500K, 4100K, 5300K |
| LED Count /feet | 39 / ft |
| Lumens | 530–580 lm / ft (Standard 4.4 W) |
| Efficacy | Up to 135 lm / W |
| Operating Temperature | -30 °C (-22 °F) ~ +40 °C (+104 °F) |
| Mounting | C-Clips Magnets |
| Environment | Dry locations only (indoor) |
| Pitch Length | 7.8 mm |
| Cutable length | 24V – 8 LEDs, 62.5 mm |
| Width | 1.0625" |
| Maximum Run - Class 2 | 24V - 10 ft |

Electrical Specifications

| | |
|-------------------|--|
| Input Voltage | 24V DC |
| Power Consumption | 4.4 W / ft |
| Wiring | EX-10 Cable (UL E336579) PS-2 Cable (UL 336579) PS-4 Cable (UL 336579) PS-6 Cable (UL 338684) |
| Connector | Standard 5' (1500 mm), optional 10' (3000 mm) • 2.1 / 5.5 mm barrel plug (Standard) • Bare wire (Tunable, RGB) |
| Certification | UL listed (E346146) |

Power & Controllers

Power Adaptors

| Plug in (Class 2) | | |
|-----------------------|-----|-------|
| 950021 | 24V | 24W |
| 950024 | 24V | 90W |
| 950035 | 24V | 96W |
| 950036 | 24V | 60W |
| Hardwire | | |
| 951012 | 24V | 60W |
| 950037 | 24V | 60W |
| 950038 | 24V | 96W |
| 950039 | 24V | 150W |
| 5 in 1 Dimming Driver | | |
| 951004-12-096 | 24V | 96W |
| 951006-24-192 | 24V | 2x96W |

Wiring Options

| | |
|----------|-------------|
| Option 1 | EX-10 Cable |
| Option 2 | PS-2 Cable |
| Option 3 | PS-4 Cable |
| Option 4 | PS-6 Cable |

Mounting Options

| | |
|----------|---------|
| Option 1 | C-Clips |
| Option 2 | Magnets |

Controllers

| Inline Dimmer with Remote | | |
|---------------------------|-----|-------|
| 970007 | 24V | 144W |
| LED Dimming Module | | |
| 970001 | 24V | 96W |
| Rotary Style Dimmer | | |
| 970002 | 5V | 40W |
| 970002 | 24V | 192W |
| Connectors | | |
| DC Jack 5' | | |
| 800008 | | White |
| 800006 | | Black |
| DC Jack 10' (W) | | |
| 800009 | | White |
| 800007 | | Black |
| Connector Hub | | |
| 980047 | | White |

LumiStick™ Pro Wide



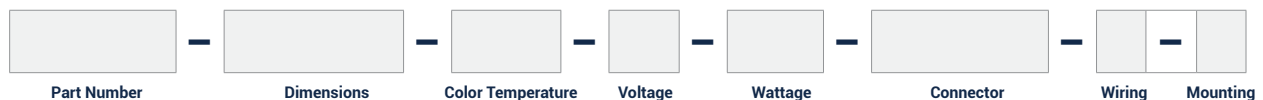
Ordering Information

| Product Number | Size | Color Temperature | Voltage | Wattage/ft |
|-----------------------|---------------------------------|--|--------------------|------------------------------|
| 231401 – White | z X y Custom size | 270 – 2700K 350 – 3500K 410 – 4100K 530 – 5300K | 24 – 24V DC | 4.4 – Standard (4.4W) |

| Connectors | Wiring | Mounting |
|----------------------------------|------------------------|--------------------|
| 80008 – DC jack 5' White | 1 – EX-10 Cable | 1 – C-Clips |
| 80006 – DC jack 5' Black | 2 – PS-2 Cable | 2 – Magnets |
| 80009 – DC jack 10' White | 3 – PS-4 Cable | |
| 80007 – DC jack 10' Black | 4 – PS-6 Cable | |
| 900047 – Connector Hub | | |

Configure Order

Put your order code together by putting the magenta codes you would like to have in the same order from above into each cell below.



Example: **231401-11-530-24-4.4-80008-1-1**

Breakdown: LumiStick Pro Wide; Dimensions(z-y)-11"; Color Temperature-5300K; Voltage-24V; Wattage-4.4W/ft; Connector-DC jack 5' White; EX-10 Cable (1); Screw in clips.