



Job Information <i>Fill out project details for this product below</i>			
Project		Location	
Contact		Date	
Product Number		Fixture Type	

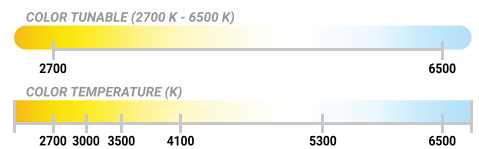
Achieve even, hot-spot free backlighting with the simplicity of a fixture. OmniFixt™ pairs OmniSheet™ with a thin diffuser or acrylic of your choosing – up to 1/8" (3 mm) thick. Housed in a sturdy, easy-to-hang aluminium frame, OmniFixt is great for tiling and light box applications.



APPLICATIONS

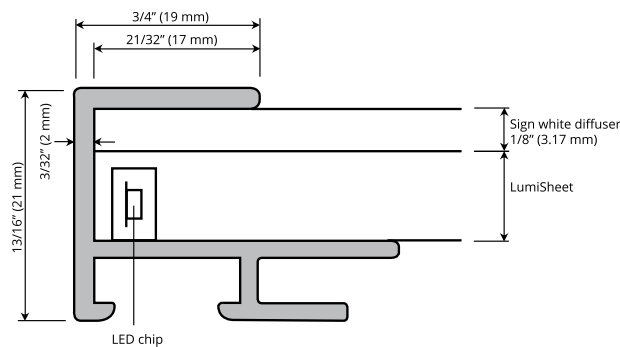
- Backlighting
- Backlit Graphics
- Large Formats

COLOR TEMPERATURE

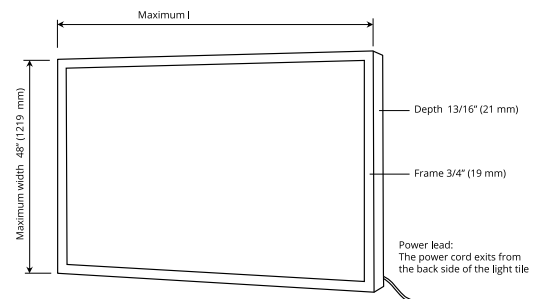


OVERVIEW

PROFILE VIEW



FRONT VIEW



*Panel dimensions = X (long), Y (short)
 *Outside dimensions = X + 5/32" (4 mm), Y + 5/32" (4 mm)
 *Viewable area = X - 1 1/8" (34 mm), Y - 1 1/8" (34 mm)



SPECIFICATIONS

PHYSICAL SPECIFICATIONS

Part Number	83190
Series	LLP
Chip	OmniChip
CRI	≥ 90
Color Temperature	2700 K • 3000 K • 3500 K • 4100 K • 5300 K • 6500 K • Tunable (2700K-6500K)
Operating Temperature	-30 °C (-22 °F) ~ +40 °C (+104 °F)
Mounting	
Environment	Dry / Damp location only (indoor)
Thickness	13/16" (21 mm)
Minimum Size	6" (152 mm) L x 6" (152 mm) W
Maximum Size	96" (2438 mm) L x 48" (1219 mm) W
Weight	Approx. 3.2 lbs / sq ft (15 kg / sq m)
Frame Material	Aluminum
Frame Color	Silver / White / Custom
Weight	Fabric Width
Fabric Width	3/4" (19 mm)

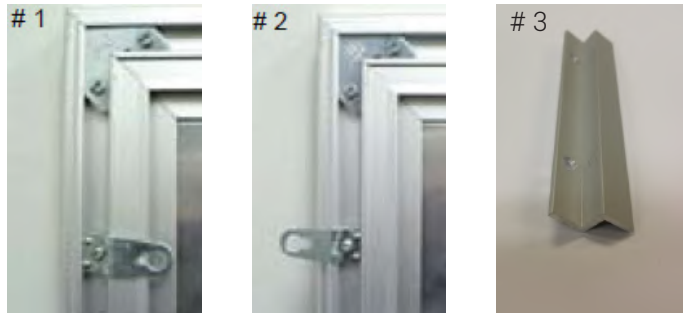
ELECTRICAL SPECIFICATIONS

Input Voltage	12V DC • 24V DC
Power Consumption	2.4 W/ft (Low-Wattage) • 4.4 W/ft (Standard) • 5.5 W/ft (Tunable) using Controllers (4 W/ft per each channel, 8W/ft Max)
Wire Size	20 AWG 2 wire (Standard) • 22 AWG 3 wire (Tunable)
Wiring	Each panel must have direct connection to power supply. Do not wire panels in series. Maximum wire length 20 ft (6 m) to avoid voltage drop
Connector	Standard 5' (1500 mm), optional 10' (3000 mm) • 2.1 / 5.5 mm barrel plug (Standard) • Bare wire (Tunable)
Certification	UL listed (E346146)



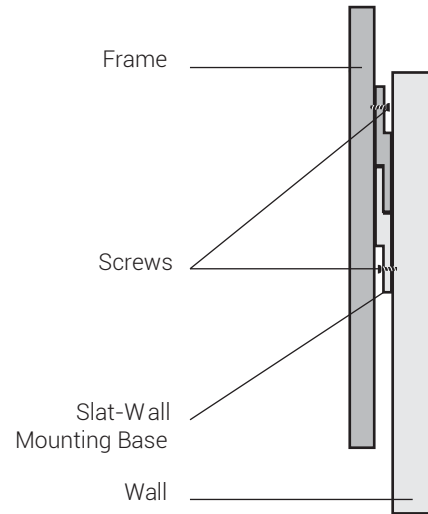
MOUNTING AND WIRING LED LIGHT BOX

'SINGLE-SIDED' AND 'DOUBLE-SIDED' LED LIGHT BOXES.



- Single-sided Omnifix™ is provided with four mounting clips with keyhole slot on back along with pre-drilled hole(s) for securing the frame to the wall
- You can relocate or turn the mounting clip 180 degrees as shown in picture #2 by loosening the screw. Make sure the screw on the clip is tightened after relocation before you install the light box.
- Z-clips (picture #3) are also provided for mounting.
- Large lightboxes are heavy. Make sure they are securely installed to avoid any accidents.

SLAT WALL MOUNTING



WIRING

- Determine your system components, including a power adaptor, as well as optional dimmer and controller. Use only UL certified power adaptors with the power output that coordinates with your input voltage. Do not apply 24V DC to 12V DC Light Guided Panel, as within seconds the result may be burned LEDs or fire. Look for our voltage tags at the end of the power cord.

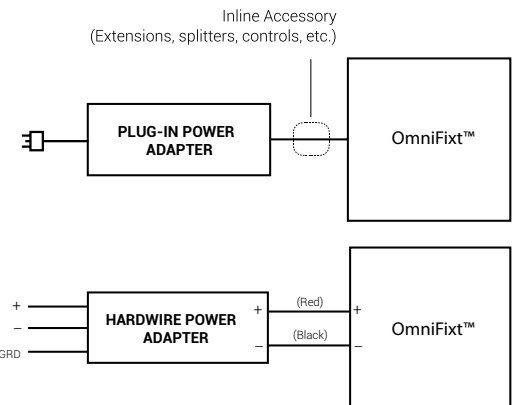


WIRING WITH PLUG-IN POWER ADAPTORS:

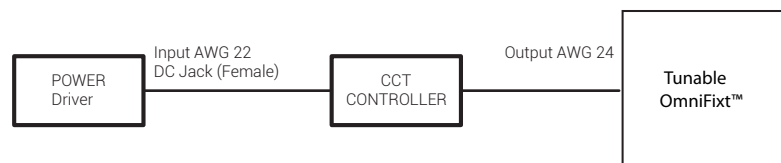
- Use a plug-in adaptor to connect the Light Guided Panel to your power source.

WIRING WITH HARDWIRE POWER ADAPTORS:

1. Turn off power to your system at the main breaker;
2. Install your system components. Refer to wiring guidelines for each component to build your system;
3. Check connections and turn on power at the main breaker.



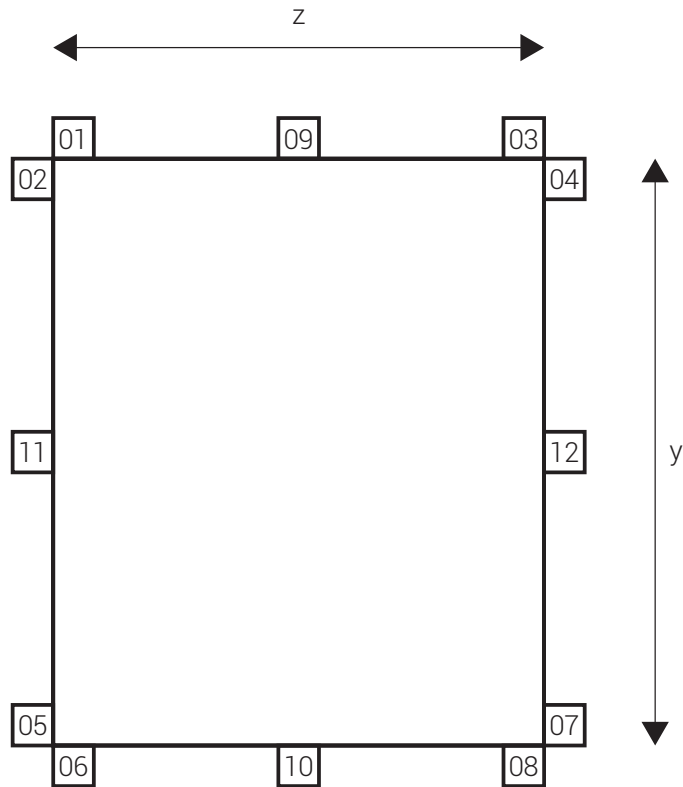
WIRING TUNABLE



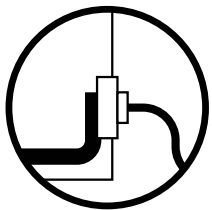


WIRE EXIT LOCATION OPTIONS

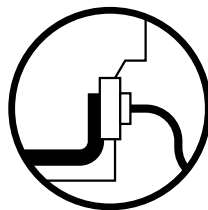
- 1, 3, 6, 8:** Corner Exit short side
- 2, 4, 5, 7:** Corner exit long side
- 9, 10:** Side Exit short side
- 11, 12:** Side exit long side



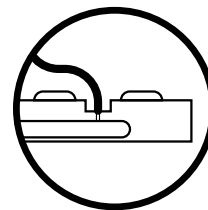
EXIT TYPE OPTIONS



1 - Edge
Power cord exits from edges



2 - Notched
Recessed (notched) power cord exits



3 - Rear
Power cord exits from the rear side of the light panel



ACCESSORIES AND OPTIONS

POWER ADAPTORS OPTIONS

Plug-in (Class 2)

950003	12V	60W
950021	24V	24W
950024	24V	90W
950035	24V	96W
950036	12V	60W
950036	24V	60W

Hardwire

951005	12V	60W
951009	12V	150W
951012	24V	60W
950037	12V	60W
950037	24V	60W
950038	24V	96W
950039	24V	150W

5 in 1 Dimming Driver

951003-12-060	12V	60W
951004-24-096	24V	96W
951006-24-192	24V	2x96W

Dimmable Driver

950007	12V	60W
951010	12V	150W

LED Power Driver (Class 2)

950003-12-060	12V	60W
---------------	-----	-----

* Other power options available on request

CONTROLLER OPTIONS

Inline Plug and Play Dimmer

970014	12V	48W
970014	24V	96W

Inline Dimmer with Remote

970007	12V	72W
970007	24V	144W

LED Dimming Module

970001	12V	60W
970001	24V	98W

Rotatory Style Dimmer

970002	5V	40W
970002	12V	96W
970002	24V	192W

CCT Controller

910025	12V/24V	Max. 60W
--------	---------	----------

* Other controller options available on request

CONNECTOR OPTIONS

DC jack 5'

80008	White
80006	Black

DC jack 10' (W)

80009	White
80007	Black

2 pin connector cable 5'

980048	White
980049	Black

Omnify Connector Hub

980047	White
--------	-------

Bare Leads

80019	White
80014	Black

MOUNTING OPTIONS

Option 1	Pre-Drilled Holes
Option 2	Z-Clips
Option 3	Standoffs



ORDER INFORMATION

LLP Series

Product #	Size	Color Temperature		Voltage	Wattage
83190	z-y: Custom Size	270-2700 K 300-3000 K 350-3500 K 410-4100 K 530-5300 K 650-6500 K 000 Tunable(2700 K - 6500 K)		12-12V DC 24-24V DC	2.4 2.4 W/ft (Low Wattage) 4.4 4.4 W/ft (Standard) 5.5 5.5 W/ft (Tunable)
Connectors	-	LED Location	Exit Type	Exit Location	Mounting
80008 DC jack 5' White 80006 DC jack 5' Black 80009 DC jack 10' White 80007 DC jack 10' Black 980048 2 Pin Connector 5' cable White 980049 2 pin Connector 5' cable Black 80019 Bare leads White 80014 Bare leads Black 980047 Omnify Connector Hub		1: LEDs along 1 long edge 2: LEDs along 2 long edges 3: LEDs along 1 short edge 4: LEDs along 2 short edges 5: LEDs along all 4 edges 6: Custom illumination	1: Edges 2: Notched 3: Rear	Wiring exit options diagram 01 - 02 - 03 - 04 - 05 - 06 07 - 08 - 09 - 10 - 11 - 12	1 Z-bars 2 Weldnut

EXAMPLE

83190-11x14-350-12-2.4-80008-1-1-1-1-1

The specification number immediately above can be deconstructed as follows:

- OmniFixt™; Dimensions(z-y)-11"x14"; Color Temperature-3500K; Voltage-12V; Wattage-2.4W/ft; Connector-DC jack 5' White; Location(1)-1 Long Edge; Power Cord Exits(1); Power Cord Exit Location from the Edges(1); Mounting(1)-Z-bars