



Slim LED light strip

Part#: White 320404 • RGB 320605 • RGBW 320607 • Tunable 320605

Job Information <i>Fill out project details for this product below</i>			
Project		Location	
Contact		Date	
Product Number		Fixture Type	

Unmistakably, the OmniLine is the thinnest LED light tape on the market with a minimal 4mm profile. Applicable in several situations, OmniLine fits even the smallest spaces with incredible uniformity.



KEY FEATURES



Thinnest LED Strip



Self-adhesive 3M tape

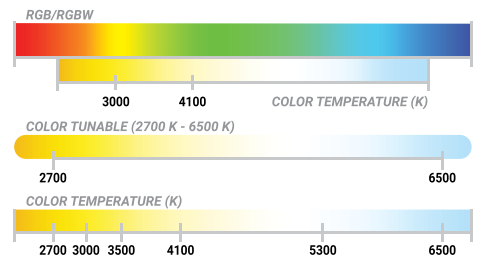


Non-toxic Recyclable

APPLICATIONS

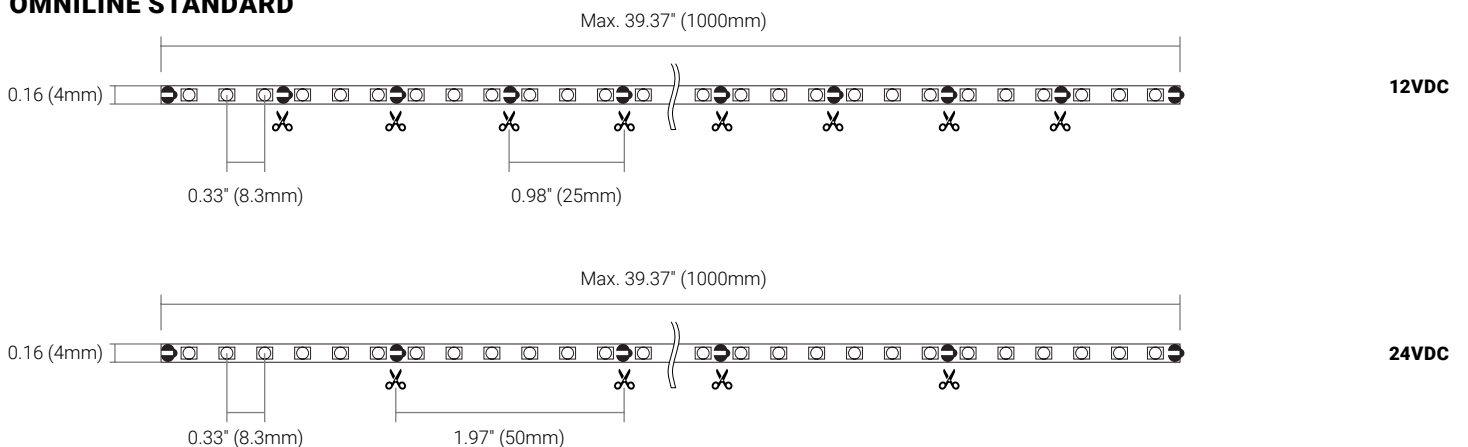
- Shelves
- Cove Lighting
- Corner Lighting
- Displays

LIGHT TEMPERATURE



OVERVIEW

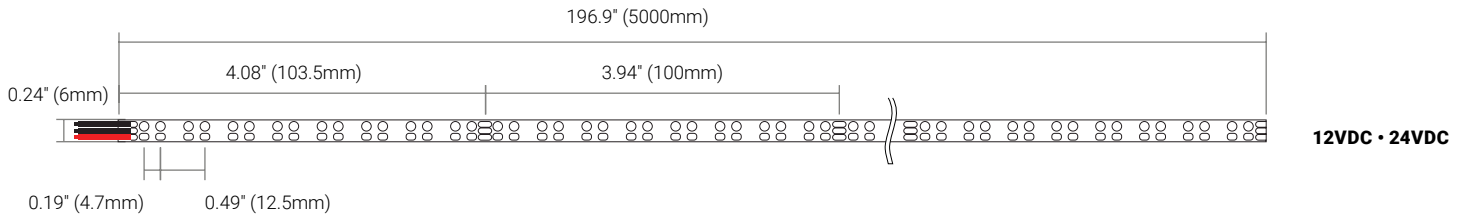
OMNILINE STANDARD



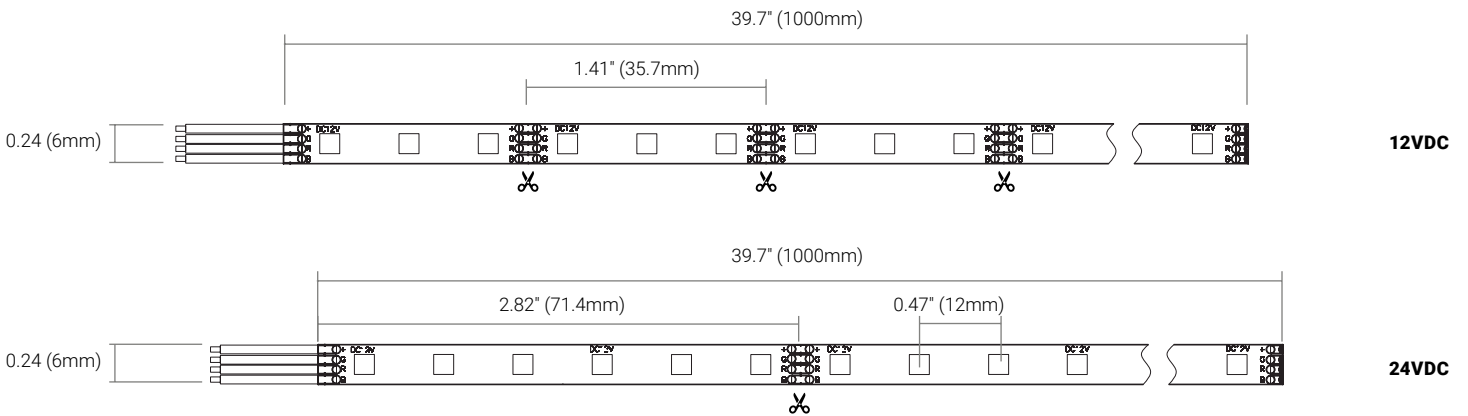


OVERVIEW

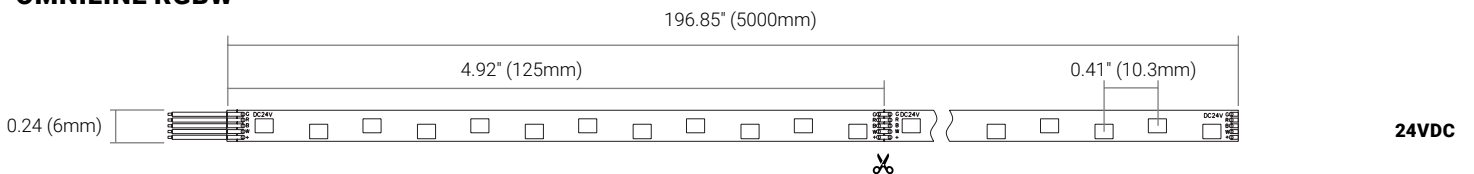
OMNILINE TUNABLE



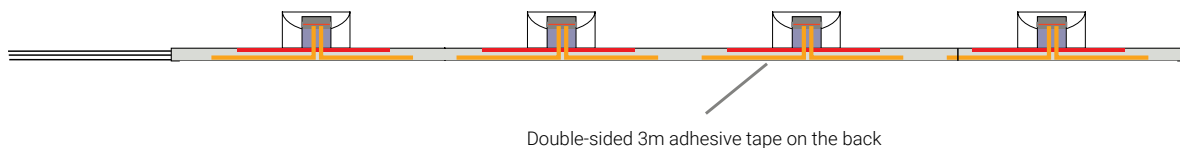
OMNILINE RGB



OMNILINE RGBW



SIDE VIEW





SPECIFICATIONS

PHYSICAL SPECIFICATIONS

Part Number	White - 320404 RGB - 320605 RGBW - 320607 Tunable - 320605
Series	White - LLS12-FLEX-AI-W / LLS24-FLEX-AI-W RGB - LLS12-Flex-CI-WN / LLS24-Flex-CI-WN RGBW - LLS24-RGBX-I CCT - LLS12-RGB-1 / LLS24-RGB-1
Chip	OmniChip
Beam Angle	120°
CRI	≥ 90
Color Temperature	2700 K • 3000 K • 3500 K • 4100 K • 5300 K • 6500 K • Tunable (2700K-6500K) • RGB • RGBW (3000 K • 4100 K)
LED Count/ft	36/ft (Standard) • 48/ft (Tunable) • 25/ft (RGB) • 29/ft (RGBW)
Lumens	175 - 197 lm/ft (Standard-2.4 W) • 350 - 390 lm/ft (Standard-4.4 W) • 370-420 lm/ft (CCT) 131 - 142 lm/ft (RGB) • RGB: 12-50lm/ft W: 244 lm/ft (RGBW)
Operating Temperature	-30 °C (-22 °F) ~ +40 °C (+104 °F)
Mounting	3M adhesive tape
Environment	Dry location only (indoor)
Pitch Length	8.3 mm (Standard) • 12.5 mm (Tunable) • 12 mm (RGB) • 10.3 mm (RGBW)
Cutable Length	12V: 3 LEDs 1" (Standard) • 24V: 6 LEDs 2" (Standard) • 12V: 1.8" (Tunable) • 24V: 3.9" (Tunable) 12V: 3 LEDs 1.4" (RGB) • 24V: 6 LEDs 2.8" (RGB) • 24V: 12 LEDs 4.9" (RGBW)
Width	5 m (16')/spool - 4mm (W) (Standard) 5 m (16')/spool - 6mm (W) (Tunable, RGB, RGBW)
Maximum Run	12V - 8.25 ft (Standard) • 24V- 13 ft (Standard) • 12V - 8.25 ft (Tunable • 12 - 13.2 ft (Tunable) 12V - 5 ft (RGB) • 24V- 6.6 ft (RGB) • 24V - 12 ft (RGBW)

ELETRICAL SPECIFICATIONS

Input Voltage	12V DC (Standard, Tunable, RGB) • 24V DC (Standard, Tunable, RGB & RGBW)
Wiring	Ex-10 cable - UL E336579 • PS-2 cable - UL E336579 • PS-4 cable - UL E336579 • PS-6 cable - UL E338684
Power Consumption	2.4 W/ft (Low Wattage) • 4.4 W/ft (Standard & RGB - Maxi) • 8.0 W/ft (Tunable - Maxi) 5.5W (Using Omnify Smart CCT Control) • 4.9W/ft (RGBW - Maxi)
Certification	UL listed (E346146)



ACCESSORIES AND OPTIONS

POWER ADAPTORS OPTIONS

Plug-in (Class 2)

950003	12V	60W
950021	24V	24W
950024	24V	90W

LED Power Driver (Class 2)

950003-12-060	12V	60W
---------------	-----	-----

* Other power options available on request

Hardwire

951005	12V	60W
951009	12V	150W
951012	24V	60W

Dimmable Driver

950007	12V	60W
951010	12V	150W

5 in 1 Dimming Driver

951003-12-060	12V	60W
951004-24-096	24V	96W
951006-24-192	24V	2x96W

CONTROLLER OPTIONS

RGB DMX

12V/24V x3CH

970022	12V	Max. 180W
	24V	Max. 360W

Inline Plug and Play Dimmer

970014	12V	48W
970014	24V	96W

* Other controller options available on request

Inline Dimmer with Remote

970007	12V	72W
970007	24V	144W

LED Dimming Module

970001	12V	60W
970001	24V	98W

Rotatory Style Dimmer

970002	5V	40W
970002	12V	96W
970002	24V	192W

CCT Controller

910025	12V/24V	Max. 60W
--------	---------	----------

CONNECTOR OPTIONS

DC jack 5'

80008	White
80006	Black

DC jack 10' (W)

80009	White
80007	Black

2 pin connector cable 5'

980048	White
980049	Black

Omnify Connector Hub

980047	White
--------	-------

WIRING OPTIONS

Option 1	EX-10 Cable
Option 2	PS-2 Cable
Option 3	PS-4 Cable
Option 4	PS-6 Cable



ORDER INFORMATION

LLS Series

Product #	Size	Color Temperature		Voltage	Wattage
320404 White 320602 Tunable 320605 RGB 320607 RGBW	z-y: Custom Size	270-2700 K 300-3000 K 350-3500 K 410-4100 K 530-5300 K 650-6500 K	000 Tunable(2700 K - 6500 K) 900 RGB 950 RGBW (3000K) 951 RGBW (4100K)	12-12V DC 24-24V DC	2.4 2.4 W/ft (Low Wattage) 4.4 4.4 W/ft (Standard) 8.0 4.0 W/ft (Tunable) 4.4 4.4 W/ft (RGB) 4.9 4.9 W/ft (RGBW)
Connectors	Wiring	-	-	-	-
80008 DC jack 5' White 80006 DC jack 5' Black 80009 DC jack 10' White 80007 DC jack 10' White 980048 2 Pin Connector 5' cable White 980049 2 pin Connector 5' cable Black 980047 Omnify Connector Hub	1: Ex-10 cable 2: PS-2 cable 3: PS-4 cable 4: PS-6 cable				

EXAMPLE

320404-11-530-12-4.4-80008-1

The specification number immediately above can be deconstructed as follows:

- Omniline Light Strip; Dimensions(z)-11"; Color Temperature-5300K; Voltage-12V; Wattage-4.4 W/ft; DC Jack 5' White(80008); Ex-10 cable (1)