

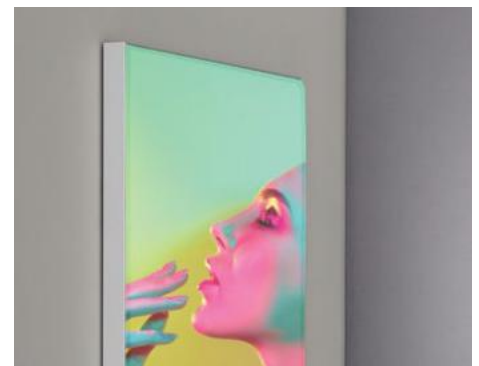


1" Slim frameless fabric  
LED lightbox

Part#: **8220**

Job Information <i>Fill out project details for this product below</i>			
<b>Project</b>		<b>Location</b>	
<b>Contact</b>		<b>Date</b>	
<b>Product Number</b>		<b>Fixture Type</b>	

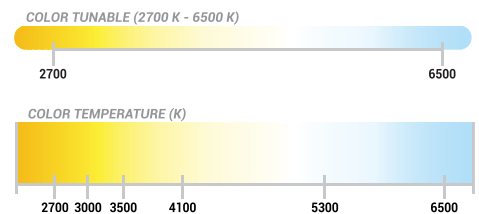
Powered by the patented OmniSheet light panels, the Engage light boxes provide super bright and even illumination for large format graphic prints. Available in a 1 1/16" profile with a near invisible frame, the Engage light boxes have a sleek and modern look that works for any environment.



## APPLICATIONS

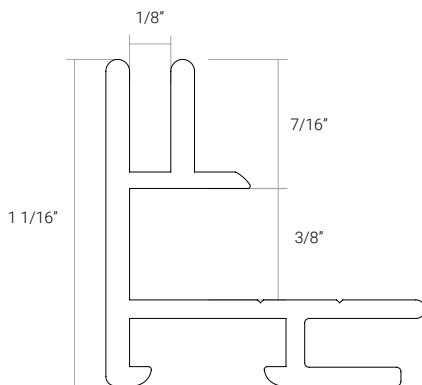
- Premium Backlit Graphics
- Thin Lightbox Applications
- Light Engine options available

## LIGHT TEMPERATURE

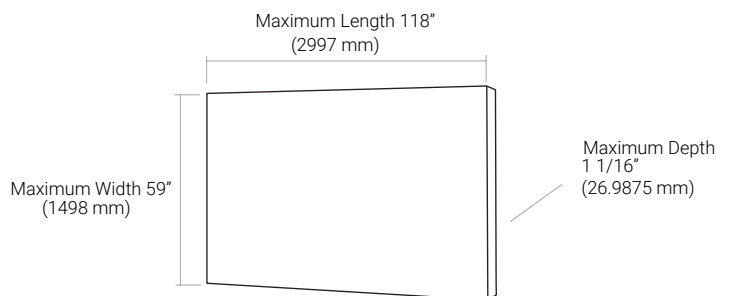


## OVERVIEW

### PROFILE VIEW



### FRONT VIEW





# Engage 1" Lightbox



1" Slim frameless fabric LED lightbox

## SPECIFICATIONS

### PHYSICAL SPECIFICATIONS

<b>Part Number</b>	8220
<b>Light Engines</b>	OmniSheet • OmniSheet Flex • Matrix
<b>Series</b>	LLB
<b>Color Temperature</b>	2700 K • 3000 K • 3500 K • 4100 K • 5300 K • 6500 K • Tunable
<b>Mounting</b>	Wall-mounted with z-bars or Euro Hanger
<b>Operating Temperature</b>	-20 °C (-4 °F) ~ +50 °C (+122 °F)
<b>Environment</b>	Indoor
<b>Thickness</b>	1 1/16" (26.9875 mm)
<b>Minimum Size</b>	6" (76 mm) L x 6" (76 mm) W x 1 1/16" (26.9875 mm) D
<b>Maximum Size</b>	118" (2997 mm) L x 59" (1498 mm) W x 1 1/16" (26.9875 mm) D
<b>Weight</b>	Approx 2.6 lbs/ sq ft.
<b>Frame Material</b>	Anodized frame
<b>Frame Color</b>	White • Silver • Black • Custom color
<b>Fabric Silicone Beading (Gasket) Size</b>	Recommended 0.11" (2.8 mm) thick x 0.43" (11mm) deep"
<b>Lumen Maintenance</b>	LM 80

### ELECTRICAL SPECIFICATIONS

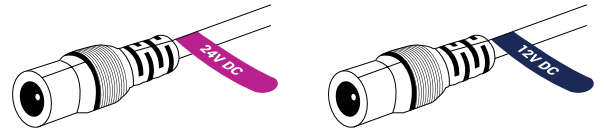
Light Engines	OmniSheet	Matrix	OmniSheet Flex
<b>Lumens</b>	330 lm/ft	1600 lm/sheet	-
<b>Input Voltage</b>	12V DC • 24V DC	24V DC	24V DC
<b>Power Consumption</b>	2.4 W/ft (Low-Wattage) • 4.4 W/ft (Standard) • 5.5 W/ft (Tunable) using Controllers (4 W/ft per each channel, 8W/ft Max)	12 W/sheet	5.2W/ft
<b>Wire Size</b>	20 AWG 2 wire (Standard) 22 AWG 3 wire (Tunable)	20 AWG cable with 2 pin connectors and 2.1/5.5 mm DC barrel connector	20 AWG 2 wire
<b>Wire Size</b>	Each light box must have direct connection to power supply. Do not wire light boxes in series	Each light box must have direct connection to power supply. Do not wire light boxes in series	2.1 / 5.5 mm barrel plug Standard 5' (1500 mm), optional 10' (3000 mm) custom
<b>Connector</b>	Standard 5' (1500 mm) Bare wire (Tunable)	Standard 5' (1500 mm)	Standard 5' (1500 mm)
<b>Certification</b>	UL listed (E3346146) UL sign (E334549)	UL listed (E3346146) UL sign (E334549)	UL recognized component (E362079) UL sign (E334549)



1" Slim frameless fabric LED lightbox

## WIRING

- Determine your system components, including a power adaptor, as well as optional dimmer and controller. Use only UL certified power adaptors with the power output that coordinates with your input voltage. Do not apply 24V DC to 12V DC Light Guided Panel, as within seconds the result may be burned LEDs or fire. Look for our voltage tags at the end of the power cord.

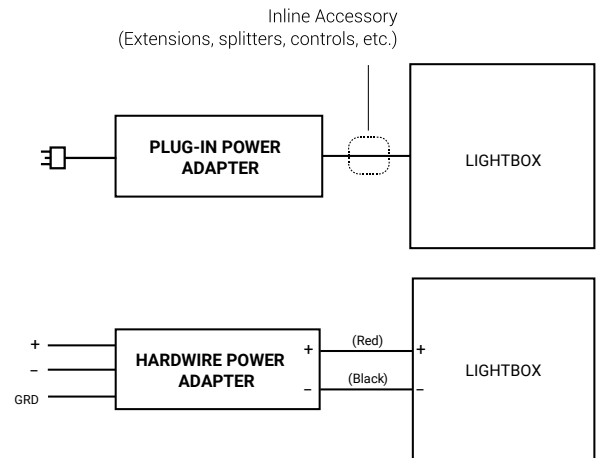


### WIRING WITH PLUG-IN POWER ADAPTORS:

- Use a plug-in adaptor to connect the Light Guided Panel to your power source.

### WIRING WITH HARDWIRE POWER ADAPTORS:

- Turn off power to your system at the main breaker;
- Install your system components. Refer to wiring guidelines for each component to build your system;
- Check connections and turn on power at the main breaker.



## WIRE EXIT LOCATION OPTIONS

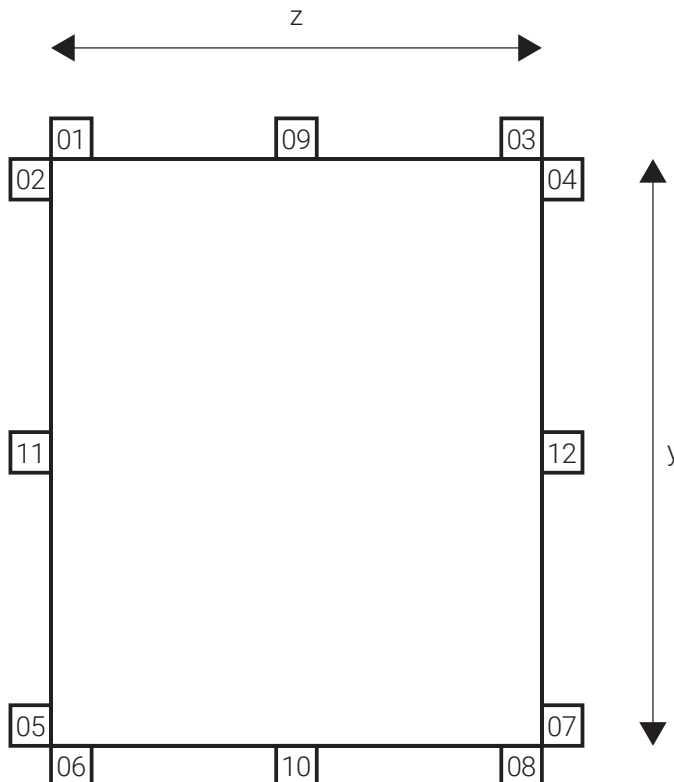
- 1, 3, 6, 8:** Corner Exit short side
- 2, 4, 5, 7:** Corner exit long side
- 9, 10:** Side Exit short side
- 11, 12:** Side exit long side

Chose wire exit(s) from above:

12V - Wattage <50W 1 wire; Wattage >50W 2 wires

24V - Wattage <75W 1 wire; Wattage >75W 2 wires

• Please consult with CSR if panel wattage is >100W





1" Slim frameless fabric  
LED lightbox

## ACCESSORIES AND OPTIONS

### POWER ADAPTORS OPTIONS

#### Plug-in (Class 2)

950003	12V	60W
950021	24V	24W
950024	24V	90W
950035	24V	96W
950036	12V	60W
950036	24V	60W

#### Hardwire

951005	12V	60W
951009	12V	150W
951012	24V	60W
950037	12V	60W
950037	24V	60W
950038	24V	96W
950039	24V	150W

#### 5 in 1 Dimming Driver

951003-12-060	12V	60W
951004-24-096	24V	96W
951006-24-192	24V	2x96W

#### LED Power Driver (Class 2)

950003-12-060	12V	60W
---------------	-----	-----

#### Dimmable Driver

950007	12V	60W
951010	12V	150W

\* Other power options available on request

### CONTROLLER OPTIONS

#### DMX Wall Controller

970041	CCT Tunable	12-24VDC
--------	-------------	----------

#### RF CCT Driver

951029	24V	90W
--------	-----	-----

#### RF CCT Wall Controller

970043	12-24VDC
--------	----------

### CONNECTOR OPTIONS

#### DC jack 5'

80008	White
80006	Black

#### DC jack 10' (W)

80009	White
80007	Black

#### 2 pin connector cable 5'

980048	White
980049	Black

#### Omnify Connector Hub

980047	White
--------	-------

### MOUNTING OPTIONS

Option 1	Z-Bars
Option 2	Euro Hanger



# Engage 1" Lightbox



1" Slim frameless fabric  
LED lightbox

## ORDER INFORMATION

Product #	Frame Color	Light Engine	Size	Color Temperature	Voltage
8220 Engage 1"	10: White 20: Silver 90: Black 92: Custom Color	121614 6 mm - OmniSheet  121814 8 mm - OmniSheet  430600 Matrix  111214 LumiSheet Flex	x-y: Custom Size	270 2700 K 300 3000 K 410 4100 K 530 5300 K 650 6500 K 000 Tunable(2700 K - 6500 K)	12 12V DC 24 24V DC
Wattage	Connectors	Mounting Options	-	-	-
2.4 2.4 W/ft - OmniSheet	80008 DC jack 5' White				
4.4 4.4 W/ft - OmniSheet	80006 DC jack 5' Black 80009 DC jack 10' White				
5.5 5.5 W/ft - OmniSheet Tunable (Using Controllers)	80007 DC jack 10' Black	1 Z-Bars			
5.2 5.2 W/ft - LumiSheet Flex	980048 2 Pin Connector 5' cable White 980049 2 pin Connector 5' cable Black	2 Hanging Cables			
12 12 W/Sheet - Matrix	980047 Omnify Connector Hub				

## EXAMPLE

**8220-20-121814-11X14-300-24-4.4-80008-1**

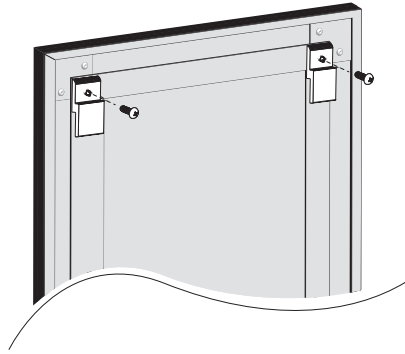
The specification number immediately above can be deconstructed as follows:

- Engage 1" Frame- Silver Frame - OmniSheet 8mm Light Engine; Dimensions(CS)-11"X 14"; Color Temperature-3000K; Voltage-24V; Wattage-4.4W/ft; DC Jack 5' White (80008); Mounting Z-Bars (1)



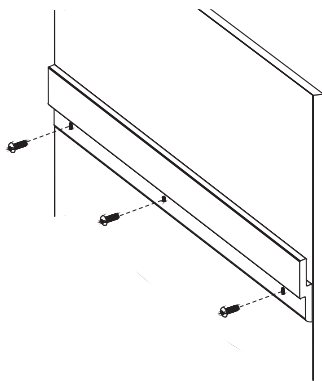
1" Slim frameless fabric  
LED lightbox

## MOUNTING INSTRUCTIONS



Apply Slat-Wall mounting hanger and screw on Frame Back

1. Place the supplied Slat-Wall mounting hangers on frame back screw tighten securely
2. Make Drill Hole on wall for screw locations and make the screw holds
3. Place Slat-Wall mounting base on wall and screw thigh
4. Hold frame in position close to the wall and slide from top to bottom into the trace



Apply Slat-Wall mounting base and screw on Wall

## SIDE VIEW

