

LumiStick™ Pro

Omnify

Part # 231004

Project		Location	
Contact		Date	
Part Nr.		Fixture Type	



Description

The most advanced LED light bar in the industry, Lumistick Pro is a high CRI light engine that offers premium light dispersion and increased brightness compared to OmniStick. Its mounting options can suit any custom project needs.



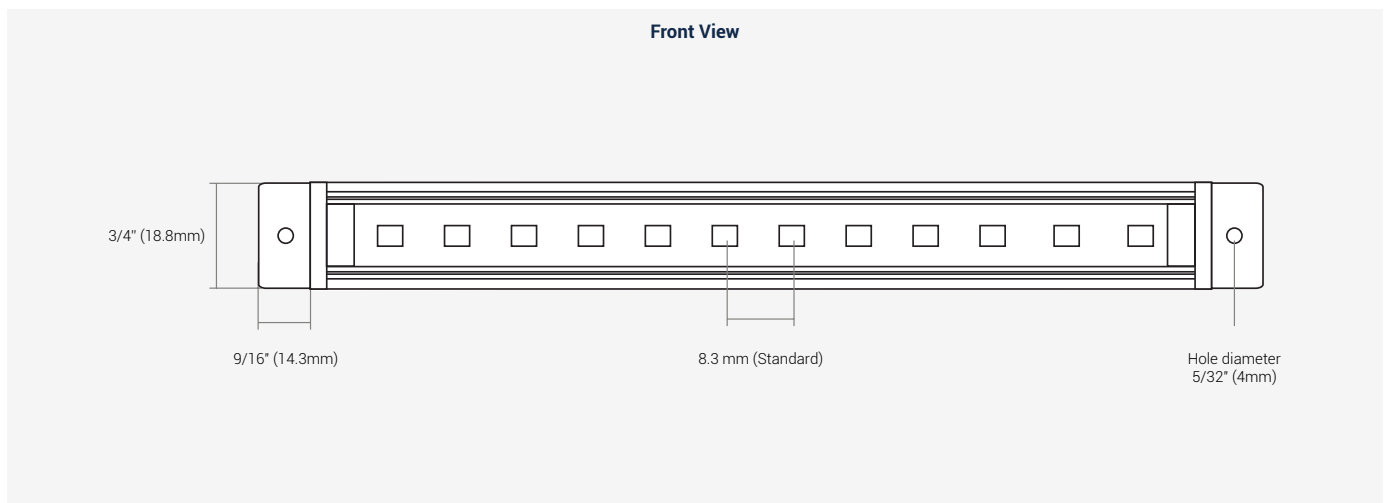
Color Temperature (K)



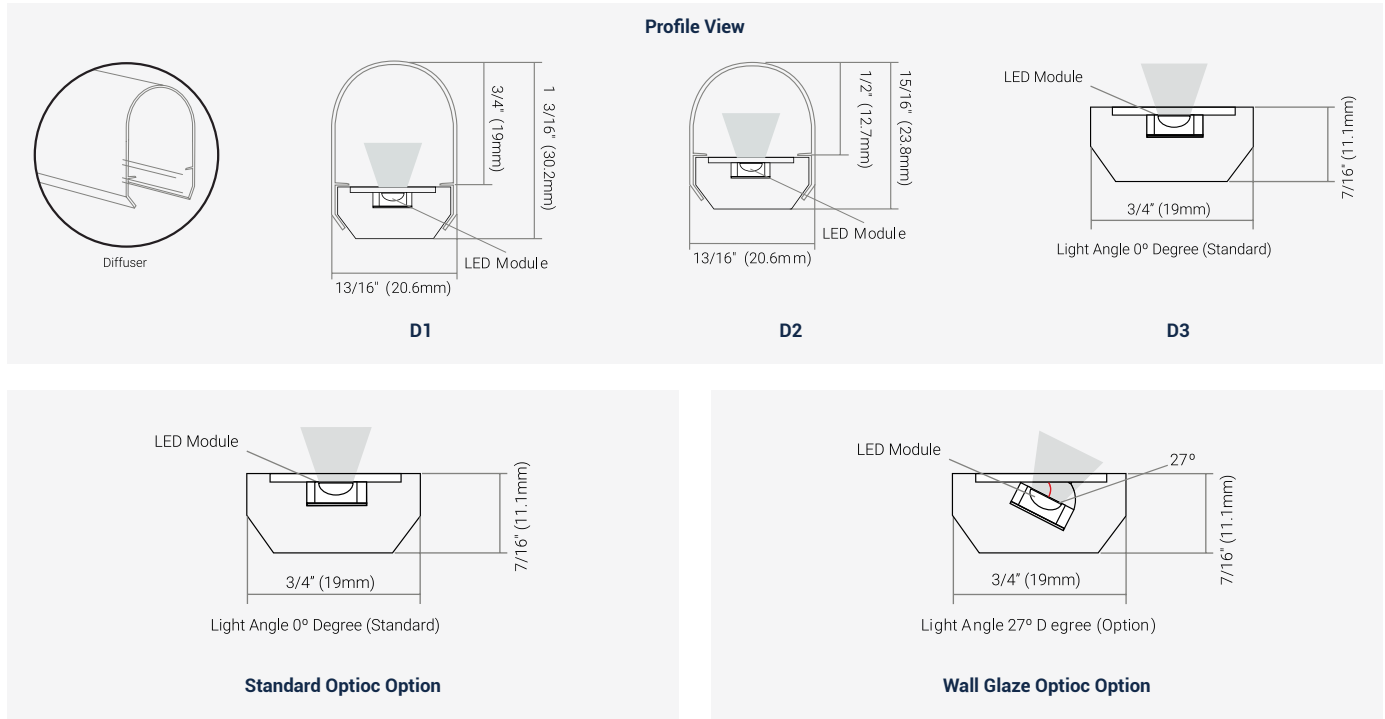
Applications

- Shelves
- Corner Lighting
- Cove Lighting
- Displays

Overview

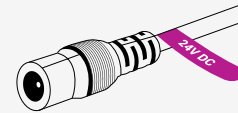


Further Views



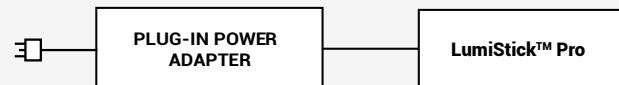
Wiring Options

Determine your system components, including a Class 2 power driver, as well as optional dimmer and controller (if required). Use only UL certified power driver with the power output that coordinates with your input voltage.



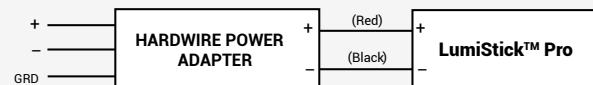
Wiring with Plug-In Power Adaptors

Use a plug-in adaptor to connect the LumiStick™ Pro to your power source.



Wiring with Hardwire Power Adaptors

1. Turn off power to your system at the main breaker
2. Install your system components. Refer to wiring guidelines for each component to build your system
3. Check connections and turn on power at the main breaker



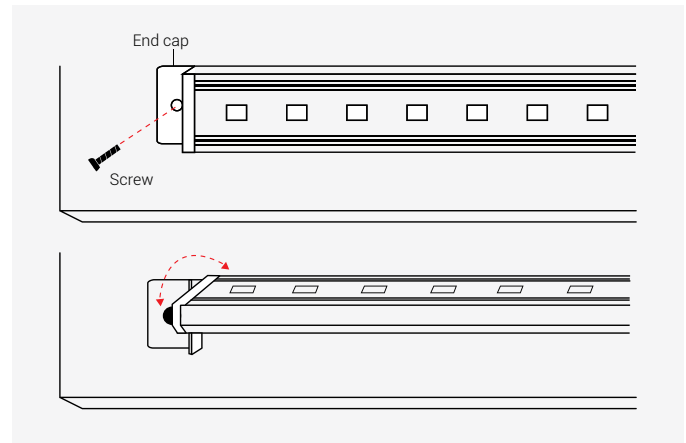
Mounting Options

Option 1: Screw Mounting

With End Cap Only: Ideal for angled mounting

End cap mounting is applicable for less than 24" (609.6 mm) length

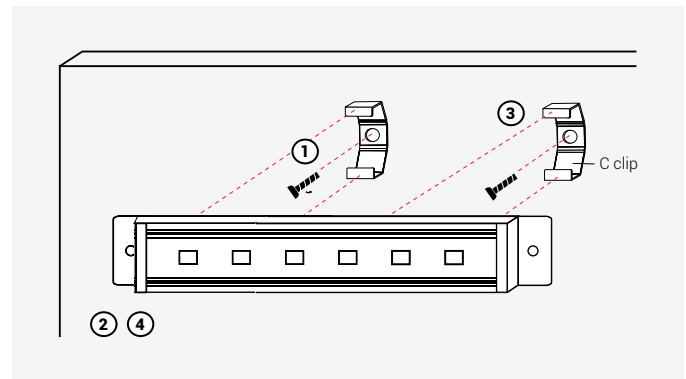
1. Use supplied screws to attach the light bar to the substrate. Some may require additional anchoring (like drywalls)
2. Once mounted, tilt the light bar to the desired angle using the end cap swivel.



With Extra C Clips: Ideal for longer light bars

Additional clips are provided to support longer than 24" (609.6 mm) length

1. Screw supplied C clips into substrate using provided screws, space them evenly, approx. 24" (609.6 mm) apart
2. Remove any optional diffuser (genle pull outwards)
3. Snap light bar into the C clips
4. Re-apply optional diffusers

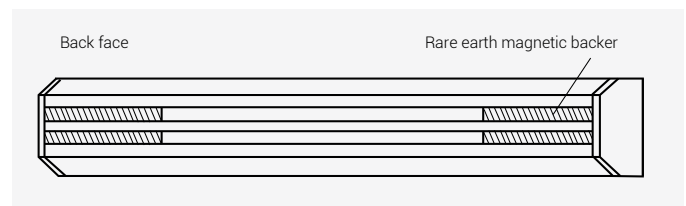


Option 2: Magnet Mounting

On Metallic Surfaces

Product may be ordered with built in rare earth magnetic backers (upon request). These will be located no more than 24" (609.6 mm) apart.

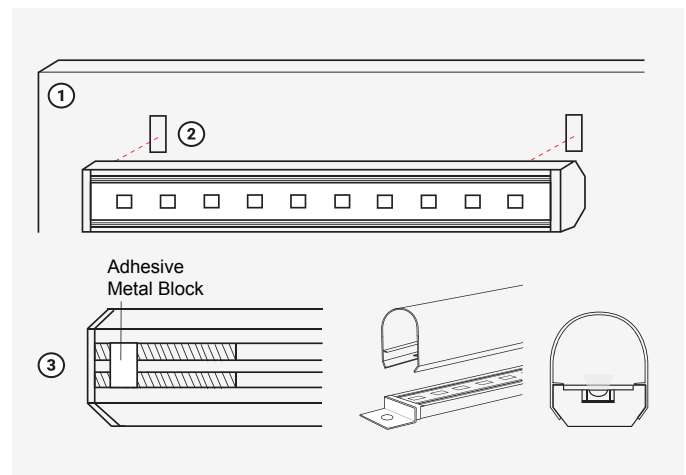
1. Position light bar against metallic surface, ensure substrate/surface is secure



Non Metallic Surface with Adhesive Metallic

Product may be ordered with adhesive metallic blocks (upon request). to allow magnetic installation on non-metallic surfaces.

1. Clean and dry substrate
2. Remove backing from adhesive metal block and apply on substrate. Be sure to align
3. Place the light bar against the adhesive block on substrate



Physical Specifications

Part Number	231004
Series	LMS
Chip	LumiChip™ Pro
Beam Angle	120°
CRI	≥ 95
Color Temperature*	2700K, 3500K, 4100K, 5300K
LED Count /feet	39 / ft
Lumens	530-580 lm / ft (Standard 4.4 W)
Efficacy	Up to 135 lm / W
Operating Temperature	-30 °C (-22 °F) ~ +40 °C (+104 °F)
Mounting	End Caps C-Clips Magnets
Environment	Dry locations only (indoor)
Pitch Length	7.8 mm
Cutable length	24V – 8 LEDs, 62.5 mm
Width	5 m (16 ft) / spool – 4 mm standard width
Maximum Run	24V - 10 ft

Electrical Specifications

Input Voltage	24V DC
Power Consumption	4.4 W / ft
Wiring	EX-10 Cable (UL E336579) PS-2 Cable (UL 336579) PS-4 Cable (UL 336579) PS-6 Cable (UL 338684)
Connector	DC 2.1/5.5 mm barrel plug / bare lead / 2 pin custom connector
Certification	UL listed (E346146)

Power & Controllers

Power Adaptors

Plug in (Class 2)		
950021	24V	24W
950024	24V	90W
950035	24V	96W
950036	24V	60W
Hardwire		
951012	24V	60W
950037	24V	60W
950038	24V	96W
950039	24V	150W
5 in 1 Dimming Driver		
951004-12-096	24V	96W
951006-24-192	24V	2x96W

Wiring Options

Option 1	EX-10 Cable
Option 2	PS-2 Cable
Option 3	PS-4 Cable
Option 4	PS-6 Cable

Mounting Options

Option 1	End caps
Option 2	C-Clips
Option 3	Magnet

Controllers

Inline Dimmer with Remote		
970007	24V	144W
LED Dimming Module		
970001	24V	96W
Rotary Style Dimmer		
970002	5V	40W
970002	24V	192W

Connectors

DC Jack 5'	
800008	White
800006	Black
DC Jack 10' (W)	
800009	White
800007	Black
2 pin Connector 5'	
980048	White
980049	Black
Connector Hub	
980047	White
Optic Options	
Option 1	Standard
Option 2	Wall Graze Optics

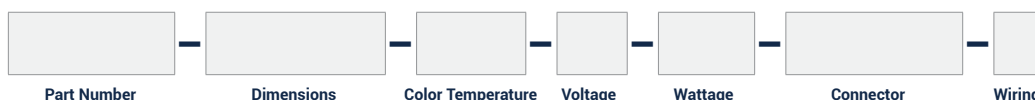
Ordering Information

Product Number	Size	Color Temperature	Voltage	Wattage/ft
231004 – White	z X y Custom size	270 – 2700K 350 – 3500K 410 – 4100K 530 – 5300K	24 – 24V DC	4.4 – Standard (4.4W)

Connectors	Wiring	Diffuser	Extrusion Angle	Mounting
80008 – DC jack 5' White	1 – EX-10 Cable	1 – DV1	01 – Standard	1 – End caps
80006 – DC jack 5' Black	2 – PS-2 Cable	2 – DV2	02 – 27° angled	2 – C clips
80009 – DC jack 10' White	3 – PS-4 Cable	3 – DV3		3 – Magnets
80007 – DC jack 10' Black	4 – PS-6 Cable			
980048 – 2 Pin 5' White				
900049 – 2 Pin 5' Black				
900047 – Connector Hub				

Configure Order

Put your order code together by putting the magenta codes you would like to have in the same order from above into each cell below.



Example: 231004-11-530-24-4.4-80008-1-1-01-1

Breakdown: LumiStick Pro; Dimensions(z-y)-11"; Color Temperature-5300K; Voltage-24V; Wattage-4.4W/ft; Connector-DC jack 5' White; Ex-10 Cable (1); Diffuser DV1; Standard angle; End caps mounting..