



6mm / 8mm / 10mm Embedded  
LED dimmable light panel

Job Information <i>Fill out project details for this product below</i>			
<b>Project</b>		<b>Location</b>	
<b>Contact</b>		<b>Date</b>	
<b>Product Number</b>		<b>Fixture Type</b>	

OmniBlade is a light guided panel for vertically placement on interior or exterior of facades made with the patented LED technology OmniSheet™, and custom PMS matching brackets. OmniBlade's innovative bracket design does not interfere with the structural integrity of windows and allows for interior hung panels to showcase a brands colour on the exterior (street). The design of the brackets and bulkheads for the panels hold up to 50lbs per linear foot, and hide all wiring, making the solution not only aesthetically clean but also safe in a public environment. An added benefit with an interior hung signage application is that it adheres to regulation, and therefore no signage permit is required.



Available in three widths 6mm thick, 8mm thick or 10mm thick and in single or double-sided illumination. Make a brand statement with printed or painted panels in Pantone or CMYK.

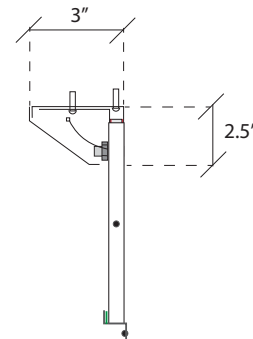
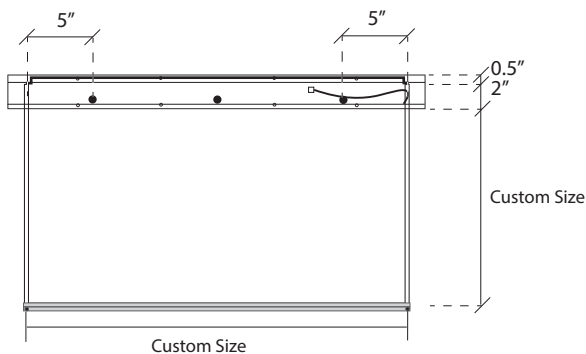
## APPLICATIONS

- Retail Windows Branding
- Interior Way Finding

## COLOR TEMPERATURE



## OVERVIEW





## SPECIFICATIONS

### PHYSICAL SPECIFICATIONS

<b>Part Number</b>	131043
<b>Chip</b>	Powered by OmniSheet™
<b>Color Temperature*</b>	4100 K
<b>Illumination</b>	Standard Size -Thick Fin 10mm thick double sided illumination
<b>Operating Temperature</b>	-20 °C (-4°F) ~ +50 °C (+122 °F)
<b>Environment</b>	Indoor
<b>Thickness</b>	15/64" (6mm) • 5/16" (8mm) • 25/64" (10mm)
<b>Maximum Width</b>	46" (1168.4mm)
<b>Weight</b>	> 35 lbs per linear foot
<b>Trim</b>	Brand color matching or PMS matching
<b>Lumen Maintenance</b>	50,000 hours

### ELECTRICAL SPECIFICATIONS

<b>Light Engine</b>	OmniSheet™	OmniSheet™
<b>Power Source</b>	Constant Voltage	Constant Current
<b>Input Voltage</b>	24V DC	48V . 85 mAmp
<b>Power Consumption</b>	8.8W per Vertical Foot (standard)	8.8W per Vertical Foot (standard)
<b>Wire Size</b>	20AWG 2 Wire	20AWG 2 Wire
<b>Wire Length</b>	Each box must have direct connection to power supply.	Each box must have direct connection to power supply.
<b>Connector</b>	Bare wire	5mm barrel plug
<b>Certification</b>	UL (E346146)	UL (E346146)

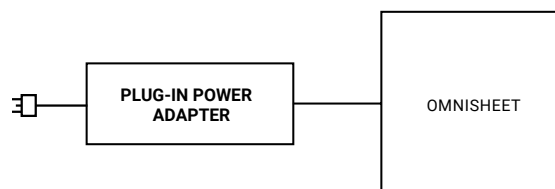
\*LED Kelvin temperatures listed in this literature have been derived from raw LED data. Actual Kelvin ratings can vary +/- 200 K based upon environmental conditions including but not limited to inclusion into LGPs and the use of diffusion materials. A precise ANSI bin control system is utilized to help maintain LED conformity and to minimize variances



## WIRING

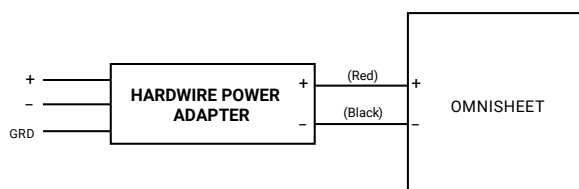
### WIRING WITH PLUG-IN POWER ADAPTORS:

Use a plug-in adaptor to connect the Light Guided Panel to your power source.



### WIRING WITH HARDWIRE POWER ADAPTORS:

1. Turn off power to your system at the main breaker;
2. Install your system components. Refer to wiring guidelines for each component to build your system;
3. Check connections and turn on power at the main breaker.



## ORDER INFORMATION

Product #	Product Description
1316142 6 mm	OmniBlade 6mm Custom Light Panel - UL listed (E346146)
1318142 8 mm	OmniBlade 8mm Custom Light Panel single-sided illumination - UL listed (E346146)
1318143 8 mm	OmniBlade 8mm Custom Light Panel double-sided illumination - UL listed (E346146)
1310142 10 mm	OmniBlade - 10mm Custom Light Panel single-sided illumination - UL listed (E346146)

## OVERVIEW

