



Water-resistant patented embedded LED light panel

Part#: 118716

Job Information <i>Fill out project details for this product below</i>			
Project		Location	
Contact		Date	
Product Number		Fixture Type	

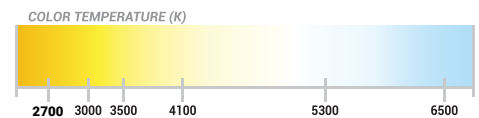
Across retail and architecture, the OmniSheet light panel has revolutionized lighting. The frameless, edge-lit LED panel produces a bright, even light across its entire surface and can be ordered in any size, and color with limitless applications.



APPLICATIONS

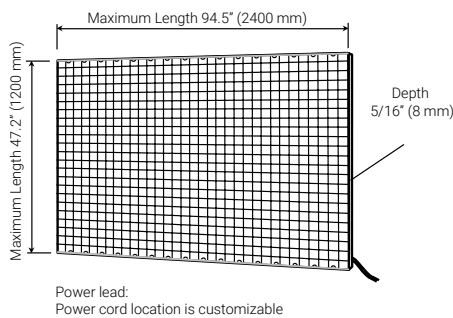
- Outdoor Lighting
- Backlighting
- Large Formats
- Backlit Stone
- Backlit Graphics

LIGHT TEMPERATURE

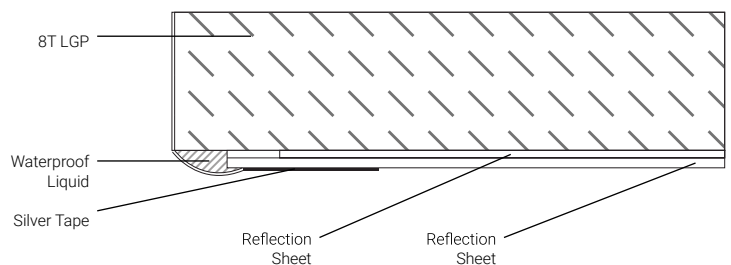


OVERVIEW

FRONT VIEW



DETAIL VIEW





OmniSheet™ Wet-Rated



Water-resistant patented
embedded LED light panel

SPECIFICATIONS

PHYSICAL SPECIFICATIONS

Part Number	8 mm -118716
Series	LLP
Chip	OmniChip
CRI	≥ 90
Color Temperature*	2700 K • 3000 K • 3500 K • 4100 K • 5300 K • 6500 K
Illumination	Single Face (SFI)
Operating Temperature	-20°C (-4°F) ~ +50°C (+122°F)
Environment	Indoor/Outdoor Wet-Rated
Thickness	5/16" (8 mm)
Minimum Size	6" L x 6" W
Maximum Size	59" W x 118" L
Reflection Sheet	PC
Weight	8mm 1.95 lbs / sq ft (9.54 kg / sq m)

ELECTRICAL SPECIFICATIONS

Input Voltage	12V DC • 24V DC
Power Consumption	4.4W/ft
Wire Size	20 AWG 2 wire (Standard)
Wiring	Each panel must have direct connection to power supply. Do not wire panels in series. Maximum wire length 20 ft (6 m) to avoid voltage drop
Connector	Standard 5' (1500 mm), optional 10' (3000 mm) • 2.1 / 5.5 mm barrel plug (Standard)
Certification	UL listed (E346146) conforms to UL IP65 Standards

*LED Kelvin temperatures listed in this literature have been derived from raw LED data. Actual Kelvin ratings can vary +/- 200 K based upon environmental conditions including but not limited to inclusion into LGPs and the use of diffusion materials. A precise ANSI bin control system is utilized to help maintain LED conformity and to minimize variances



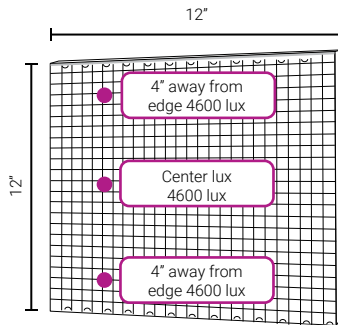
Water-resistant patented embedded LED light panel

LED TESTING DATA

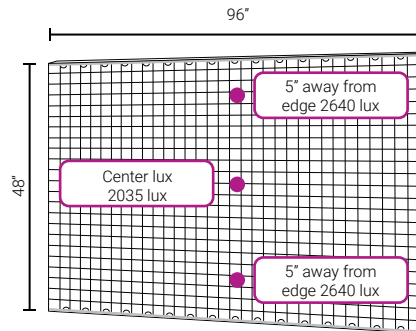
COLOR RENDERING INDEX • CRI: ≥ 90

TYPICAL SURFACE BRIGHTNESS MEASUREMENTS

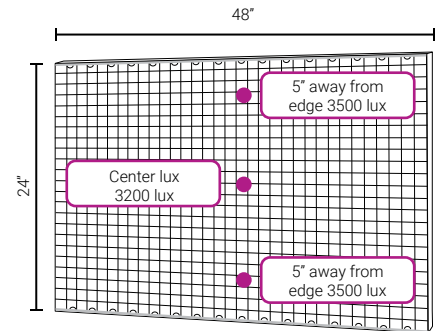
Brightness readings are for reference only. Actual reading may differ for different LEDs, LGPs or even different meters.



12" (304.8 mm) x 12" (304.8 mm) OmniSheet with 5300 K LEDs lit along 2 long edges (8 W)



48" (1219.2 mm) x 96" (2438.4 mm) OmniSheet with 5300 K LEDs lit along 2 long edges (60 W)

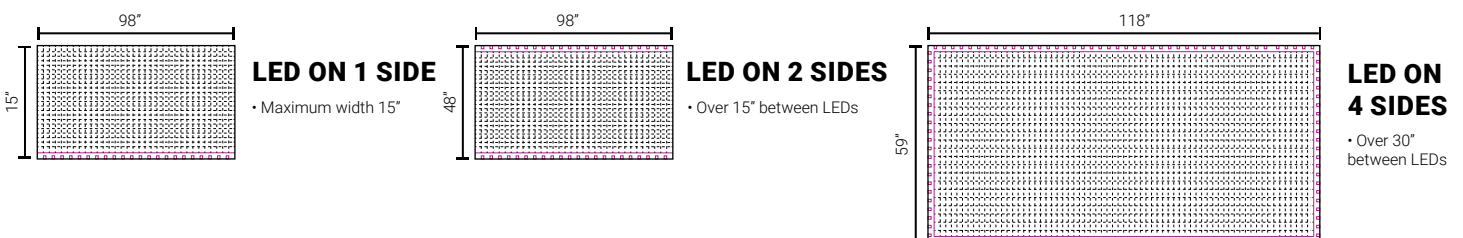


24" (609.6 mm) x 48" (1219.2 mm) OmniSheet with 5300 K LEDs lit along 2 long edges (30 W)

LIGHT GUIDED PANEL SPECIFICATIONS BY SIZE

Size (inch)	Size (mm)	LED Strip	*Average Surface Brightness (Lx)	Power Consumption (W)
6 x 6	150 x 150	1 side	6,000	2.0
12 x 12	300 x 300	1 side	3,000	4.0
24 x 24	600 x 600	2 sides	3,200	15.0
36 x 36	900 x 900	2 sides	2,600	23.0
48 x 48	1200 x 1200	2 sides	2,200	30.0
48 x 96	1200 x 2400	2 sides	2,200	60.0
Ø 6	Ø 152	all around	19,000	5.8
Ø 12	Ø 300	all around	13,000	11.2
Ø 24	Ø 600	all around	5,400	24.0
Ø 36	Ø 900	all around	4,500	36.0
Ø 48	Ø 1200	all around	3,500	48.0

OPTIMAL ILLUMINATION OPTIONS FOR UNIFORMITY





Water-resistant patented embedded LED light panel

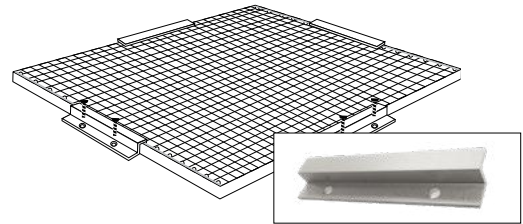
MOUNTING OPTIONS

- ⚠️ • Aluminum heat sink must not be removed from the product
- Only install in indoor environments

Z-CLIPS

Screw z-clips to the back of the frame and to the wall. Request Z-clips if required.

Contact your Omnify representative about alternative mounting options.



WIRE EXIT OPTIONS

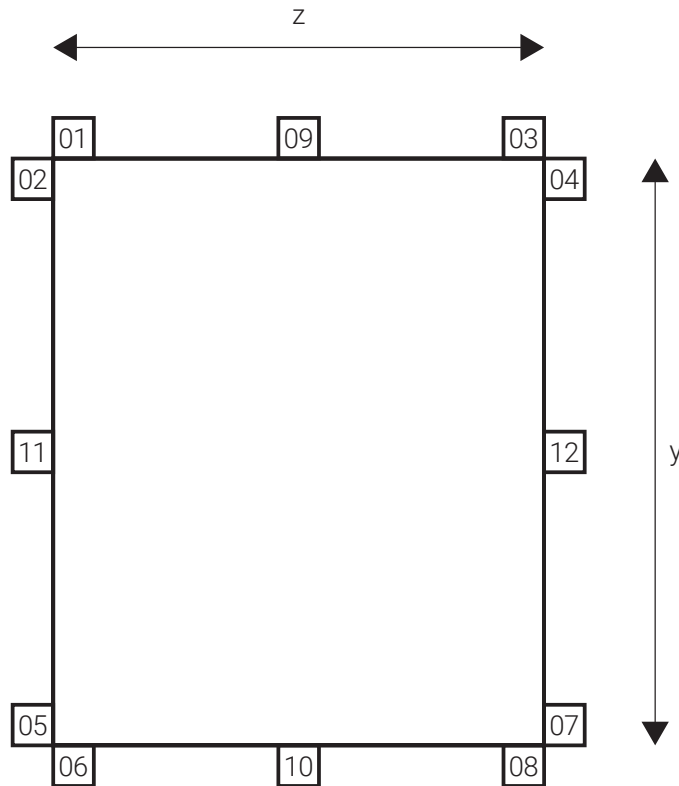
- 1, 3, 6, 8:** Corner Exit short side
- 2, 4, 5, 7:** Corner exit long side
- 9, 10:** Side Exit short side
- 11, 12:** Side exit long side

Chose wire exit(s) from above:

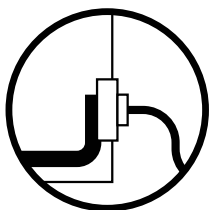
12V - Wattage <50W 1 wire; Wattage >50W 2 wires

24V - Wattage <75W 1 wire; Wattage >75W 2 wires

• Please consult with CSR if panel wattage is >100W



EXIT TYPE



1 - Edge

Power cord exits from edges



Water-resistant patented embedded LED light panel

ACCESSORIES AND OPTIONS

POWER ADAPTORS OPTIONS



Plug-in (Class 2)

950003	12V	60W
950021	24V	24W
950024	24V	90W

Hardwire

951005	12V	60W
951009	12V	150W
951012	24V	60W

5 in 1 Dimming Driver

951003-12-060	12V	60W
951004-24-096	24V	96W
951006-24-192	24V	2x96W

LED Power Driver (Class 2)

950003-12-060	12V	60W
---------------	-----	-----

Dimmable Driver

950007	12V	60W
951010	12V	150W

* Other power options available on request

CONTROLLER OPTIONS



Inline Dimmer with Remote

970007	12V	72W
970007	24V	144W

LED Dimming Module

970001	12V	60W
970001	24V	98W

Rotatory Style Dimmer

970002	5V	40W
970002	12V	96W
970002	24V	192W

Inline Plug and Play Dimmer

970014	12V	48W
970014	24V	96W

* Other controller options available on request

CONNECTOR OPTIONS

DC jack 5'

80008	White
80006	Black

DC jack 10' (W)

80009	White
80007	Black

2 pin connector cable 5'

980048	White
980049	Black

Omnify Connector Hub

980047	White
--------	-------



Omnisheet™ Wet-Rated



Water-resistant patented embedded LED light panel

ORDER INFORMATION

LLP Series

Product #	Size	Color Temperature	Voltage	Wattage
118716 8 mm	z-y: Custom Size	300-3000 K 350-3500 K* 410-4100 K 530-5300 K 650-6500 K	12-12V DC 24-24V DC	4.4 4.4 W/ft

Connectors	Illumination	LED Location	Exit Type	Exit Location	Mounting
80008 DC jack 5' White 80006 DC jack 5' Black 80009 DC jack 10' White 80007 DC jack 10' White 980048 2 Pin Connector 5' cable White 980049 2 pin Connector 5' cable Black 980047 Omnify Connector Hub	1: Single face 2: Double face	1: LEDs along 1 long edge 2: LEDs along 2 long edges 3: LEDs along 1 short edge 4: LEDs along 2 short edges 5: LEDs along all 4 edges 6: Custom illumination	1: Edges	Wiring exit options diagram 01 - 02 - 03 - 04 - 05 - 06 07 - 08 - 09 - 10 - 11 - 12	1 Pre-Drilled Holes 2 Z-Clips 3 Standoffs 4 N/A

* Only available with 12V

EXAMPLE

118716-11x14-350-12-4.4-80008-1-1-1-1-2

The specification number immediately above can be deconstructed as follows:

- Omnisheet Wet-Rated - 8mm; Dimensions(z-y)-11"X 14"; Color Temperature-3500K; Voltage-12V; Wattage-4.4W/ft; Illumination-Single; Sided(1); Location(1)-1 Long Edge; Power Cord Exits (1); Power Cord Exit Location from the edges (1)' Z-clips(2).