



Part#: 610191 OmniSky Surface Mount, Custom Size
Part#: 610192 OmniSky Suspension Mount, Custom Size
Part#: 610193 OmniSky Recessed Mount, Custom Size

Job Information <i>Fill out project details for this product below</i>			
Project		Location	
Contact		Date	
Product Number		Fixture Type	

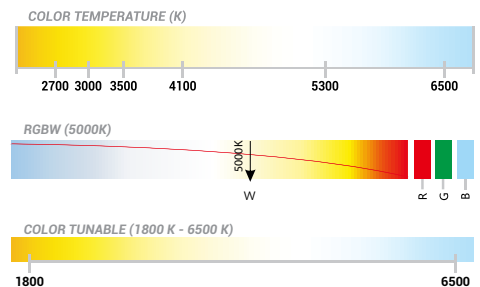
Designed to meet the dual requirements of cost-efficient large format ceiling lighting with high brightness levels, OmniSky Ceiling Lightbox solution offers bright, even illumination with an energy-efficient design for interior spaces.



APPLICATIONS

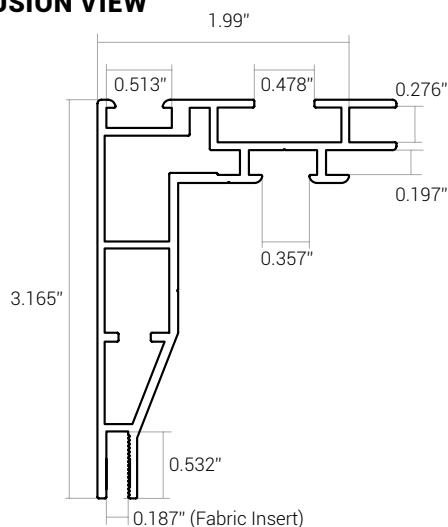
- Hanging Ceiling Lighting
- Mounted to Ceiling
- Flushed to Ceiling
- Backlit Graphics Optional

LIGHT TEMPERATURE

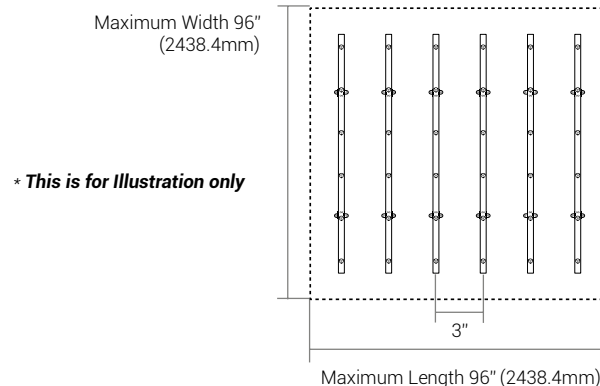


OVERVIEW

EXTRUSION VIEW



FRONT VIEW





Part#: 610191 OmniSky Surface Mount, Custom Size

Part#: 610192 OmniSky Suspension Mount, Custom Size

Part#: 610193 OmniSky Recessed Mount, Custom Size

SPECIFICATIONS

PHYSICAL SPECIFICATIONS

Part Number	610191 OmniSky Surface Mount, Custom Size • 610192 OmniSky Suspension Mount, Custom Size 610193 OmniSky Recessed Mount, Custom Size
Series	LLB
Color Temperature	2700K • 3000K • 3500K • 4100K • 5300K • 6500K • RGBW (5000K) (Light Engine: Matrix XD RGBW Light Sheet) • CCT Tunable (1800K-6500K)
Mounting	1 Surface Mount • 2 Suspension Mount with optional cable hanging set X 2 pcs (sold separately) 3 Recessed Mount
Max. Hanging Height	20' from floor
Operating Temperature	-20 °C (-4 °F) ~ +50 °C (+122 °F)
Environment	Indoor only
Thickness	3" Nominal
Available Sizes	2' X 2' 4' X 4' 4' X 8' 8' X 8' Custom sizes available (maximum 8' wide for UL compliance)
Fabric Silicone Beading (Gasket) Size	Recommended 0.11" (3 mm) thick x 0.55" (14 mm) deep
Fabric Details	100% Polyester Weight: 260 g/m ² (± 3%) Certificate for the quality management system according DIN EN ISO 9001:2015
Lumen Maintenance	LM 80

ELECTRICAL SPECIFICATIONS

	2' X 2'	4' X 4'	4' X 8'	8' X 8'	
Power Consumption	White (LumiCurtain)	60W	240W	480W	960W
	Tunable (LumiCurtain)	60W	240W	480W	960W
	RGBW (Matrix XD)	65W	260W	520W	1040W
Input Voltage	24V DC				
Wire Size	Plenum wire 14 AWG 2 wire for standard white Plenum wire 14 AWG 3 wire for CCT tunable Plenum wire 14 AWG 5 wire for RGBW				
Wiring	Each OmniSky must have direct connection to power supply. Do not wire OmniSky in series.				
Connector	Standard 5' (1500 mm), optional 10' (3000 mm) plenum wire with bare leads				
Certification	UL recognized component (E362079) class 2 UL listed assemblies available, UL Listed (E346146)				



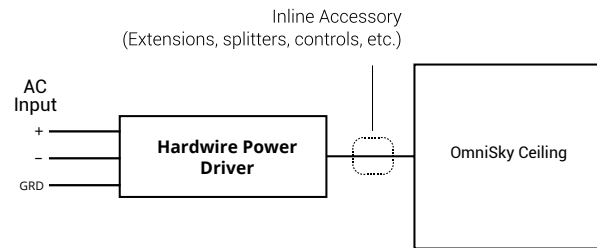
Part#: 610191 OmniSky Surface Mount, Custom Size
Part#: 610192 OmniSky Suspension Mount, Custom Size
Part#: 610193 OmniSky Recessed Mount, Custom Size

WIRING

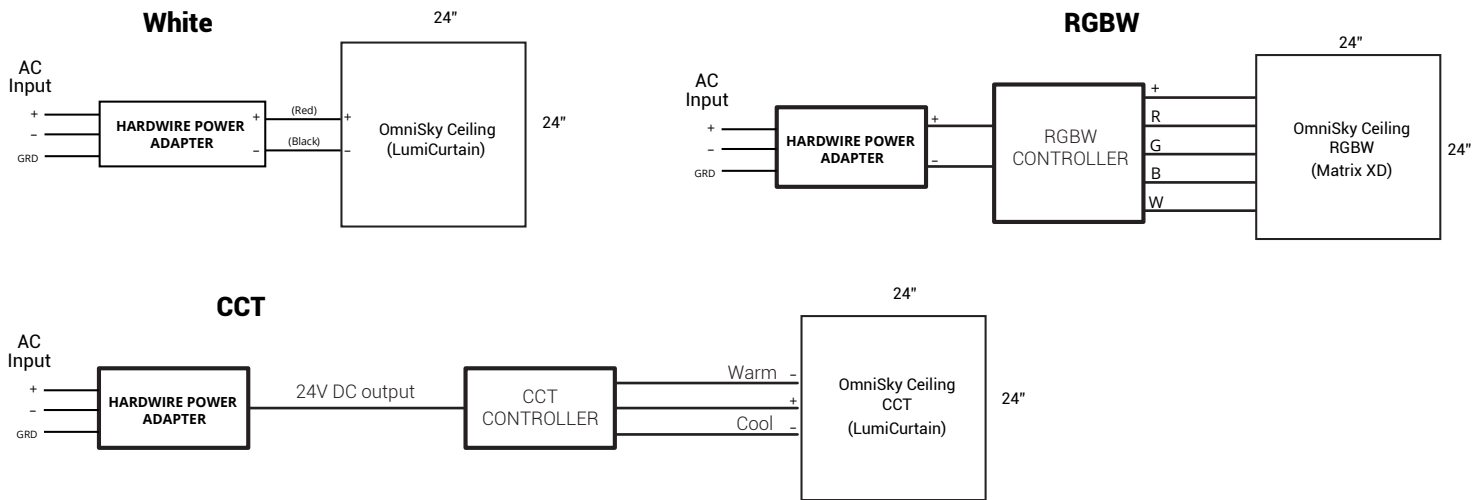
Determine your system components, including a power adaptor, as well as optional dimmer and controller. Use only UL certified power adaptors with the power output that coordinates with your input voltage. Do not apply AC voltage to OmniSky as within seconds the results may be burned LEDs or fire. Look for our 24V DC voltage tags at the end of the power cord.

WIRING WITH HARDWIRE POWER ADAPTORS:

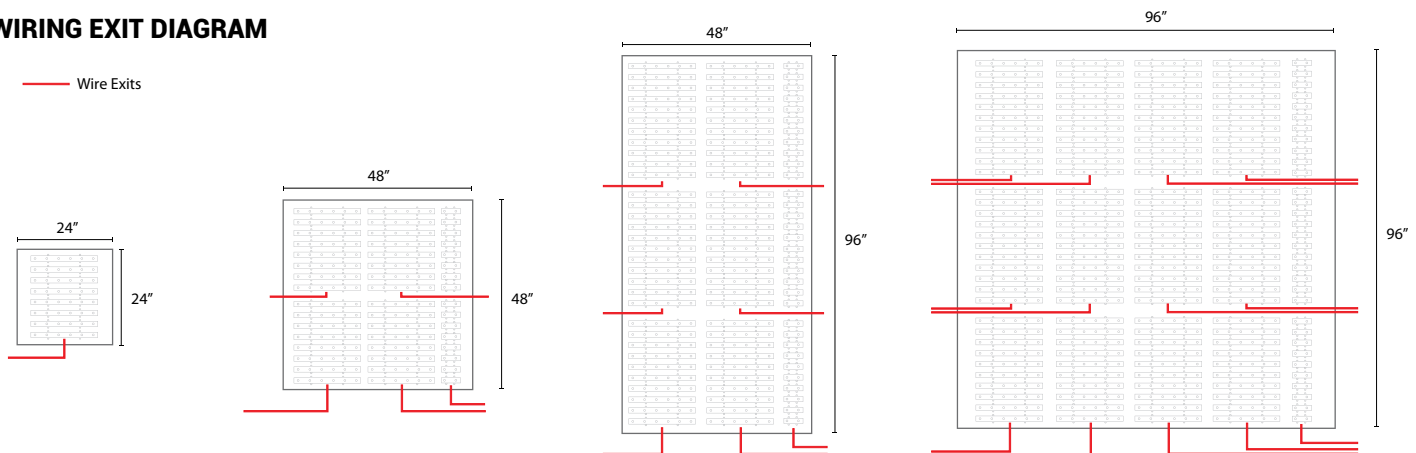
1. Turn off power to your system at the main breaker.
2. Install your system components. Refer to wiring guidelines and approval drawings for each component.
3. Wire power adaptor to each assembly. Ensure the load does not exceed 80% of the maximum rated load of power driver.
4. Check connections and turn on power at the main breaker.



WIRING OmniSky Ceiling - The wiring diagram represents class 2 connection: Wire exits vary by size



WIRING EXIT DIAGRAM



* Wiring for reference. Standard size only



Fabric Ceiling Mount
LED Lightbox

Part#: 610191 OmniSky Surface Mount, Custom Size

Part#: 610192 OmniSky Suspension Mount, Custom Size

Part#: 610193 OmniSky Recessed Mount, Custom Size

ACCESSORIES AND OPTIONS

POWER ADAPTORS OPTIONS



Hardwire (Non-Dimmable)

951012	24V	60W
950037	24V	60W
950038	24V	96W
950039	24V	150W

5 in 1 Dimming Driver

951004-24-096	24V	96W
951006-24-192	24V	2x96W

CONTROLLER OPTIONS

DMX Controller

970032	12-24V	Max. 360W
970033	12-24V	Max. 360W

DMX Wall Controller

970041	CCT Tunable	12-24V
970042	RGB/RGBW	12-24V

MOUNTING OPTIONS

Option 1	Surface
Option 2	Suspension
Option 2	Recessed

FABRIC OPTIONS

Option 1	White 4-way stretch fabric
Option 2	GRA Dyesub



Fabric Ceiling Mount
LED Lightbox

Part#: 610191 OmniSky Surface Mount, Custom Size
Part#: 610192 OmniSky Suspension Mount, Custom Size
Part#: 610193 OmniSky Recessed Mount, Custom Size

ORDER INFORMATION

LLB

Product #	Module Type	Size	Installation Type	Color Temperature	Connectors
61 OmniSky	01 Curtain 500mm	2 2' X 2'	1 Surface Mount	01 270 2700K 300 3000K 350 3500K 410 4100K 530 5300K 650 6500K	Plenum wire with bare leads
	17 Curtain CCT Tunable	4 4' X 4'	2 Suspension Mount		
	18 Matrix XD RGBW (5000K)	5 4' X 8'	3 Recessed	002 CCT Tunable (1800-6500K)	
		6 8' X 8'		950 RGBW (5000K)	
		9 Custom Size			

EXAMPLE

610121-300

The specification number immediately above can be deconstructed as follows:

- OmniSky lightbox; with Curtain 500mm; Dimensions 2' X 2'; Surface Mount; Color Temperature 3000K